

# KDT Specifications

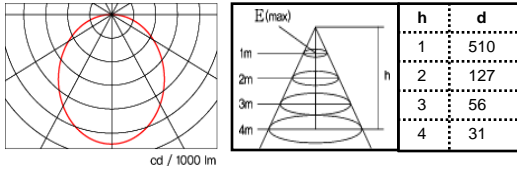
## [ver.2008.04 ]

\*제품의 사양 및 외관은 제품의 발전을 위하여 사전공지 없이 변경될 수 있습니다.

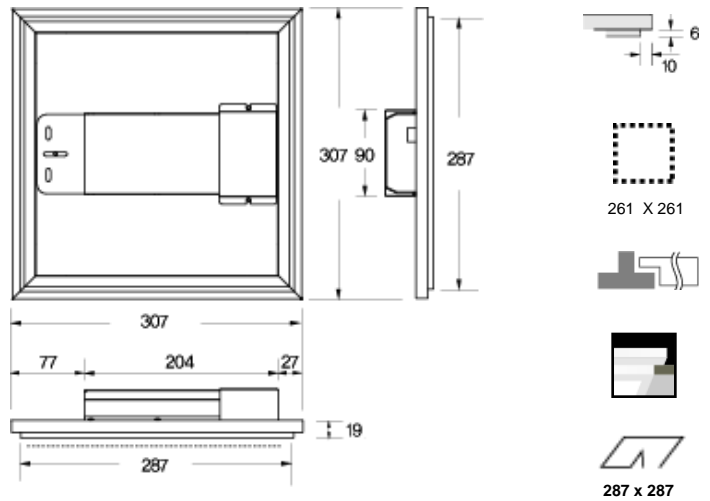


<b>Model name</b>	S33T1-D1(High illumination)
<b>Size(mm)</b>	307 x 307 x 19
<b>Power Consumption</b>	22W
<b>Illumination(Ix, at 1M)</b>	D - 510    N - 460    W - 380    L - 320 <span style="border: 1px solid black; padding: 0 2px;">D</span> <span style="border: 1px solid black; padding: 0 2px;">N</span> <span style="border: 1px solid black; padding: 0 2px;">W</span> <span style="border: 1px solid black; padding: 0 2px;">L</span>
	* D:6300K±10%, N:5000K±10%, W:4000K±10%, L:2700K±10%,
<b>Material</b>	Aluminum anodized
<b>Input Power</b>	AC 95~240 V, 50~60 Hz
<b>Control method</b>	IR Remote controller
<b>Installation Kit.</b>	IK-01, IK-02, IK-03, IK-04, IK-05A, IK-06

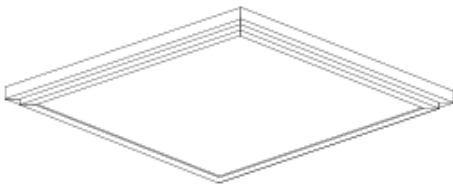
## Polar diagram



## Outline size



## Description



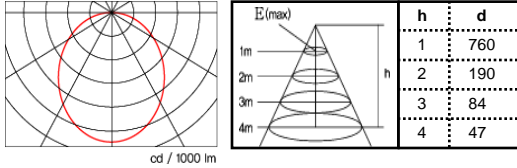
## Reference site



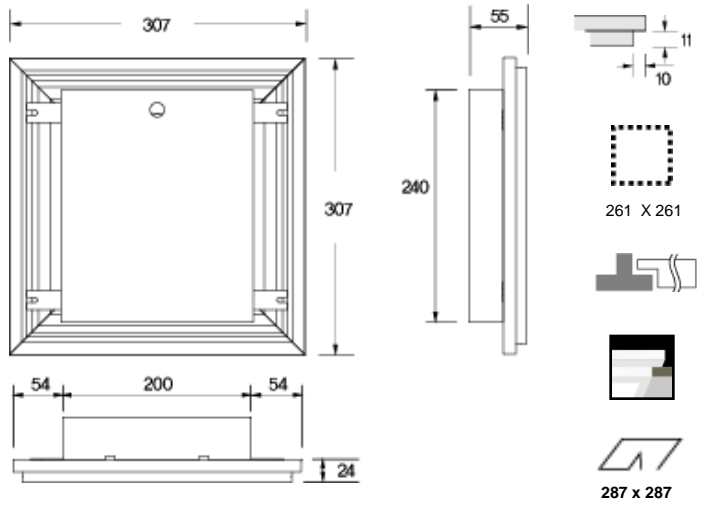
고대공학관 지하1층 엘리베이터 홀

<b>Model name</b>	S33T1-D2 (High illumination)
<b>Size(mm)</b>	307 x 307 x 24
<b>Power Consumption</b>	36W
<b>Illumination(Ix, at 1M)</b>	D - 760    N - 700    W - 570    L - 480 <span style="border: 1px solid black; padding: 0 2px;">D</span> <span style="border: 1px solid black; padding: 0 2px;">N</span> <span style="border: 1px solid black; padding: 0 2px;">W</span> <span style="border: 1px solid black; padding: 0 2px;">L</span>
	* D:6300K±10%, N:5000K±10%, W:4000K±10%, L:2700K±10%
<b>Material</b>	Aluminum anodized
<b>Input Power</b>	AC 95~240 V, 50~60 Hz
<b>Control method</b>	IR Remote controller
<b>Installation Kit.</b>	IK-01, IK-02, IK-03, IK-04, IK-05A, IK-06

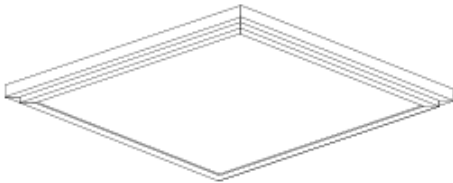
## Polar diagram



## Outline size



## Description

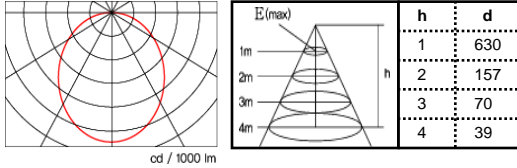


## Reference site

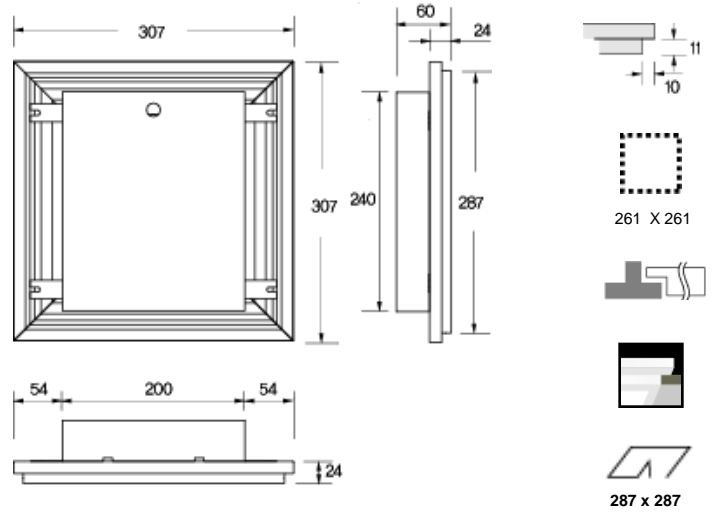


<b>Model name</b>	S33T1-E2
<b>Size(mm)</b>	307 x 307 x 24
<b>Power Consumption</b>	36W
<b>Illumination(Ix, at 1M)</b>	D ~ L - 630 <span style="border: 1px solid black; padding: 0 2px;">D</span> <span style="border: 1px solid black; padding: 0 2px;">N</span> <span style="border: 1px solid black; padding: 0 2px;">W</span> <span style="border: 1px solid black; padding: 0 2px;">L</span> * L~D:2700K~6300K(감성)
<b>Material</b>	Aluminum anodized
<b>Input Power</b>	AC 95~240 V, 50~60 Hz
<b>Control method</b>	IR Remote controller
<b>Installation Kit.</b>	IK-01, IK-02, IK-03, IK-04, IK-05A, IK-06

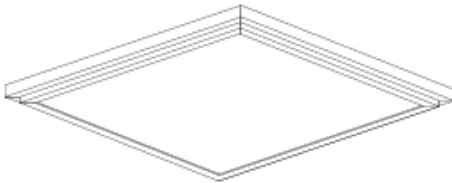
## Polar diagram



## Outline size



## Description



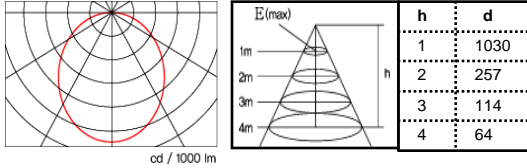
## Reference site



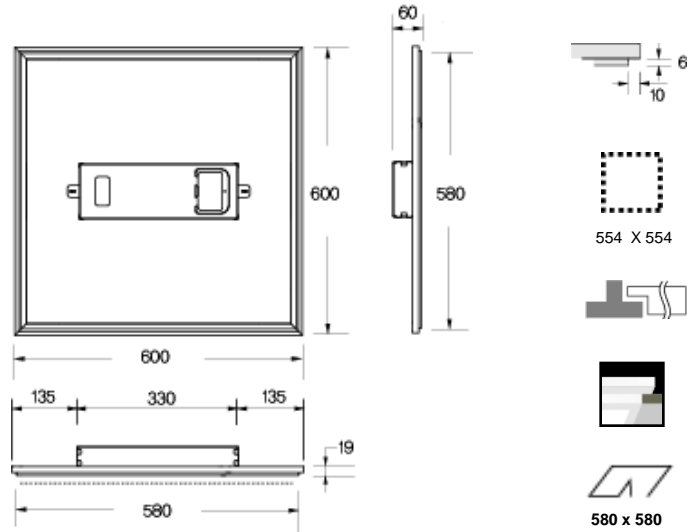
- Pendant type  
 - 이노디자인(INNO Design Office)

<b>Model name</b>	S66T3-D1(High illumination)
<b>Size(mm)</b>	600 x 600 x 19
<b>Power Consumption</b>	42W
<b>Illumination(Ix, at 1M)</b>	D - 1030    N - 940    W - 770    L - 640 <span style="border: 1px solid black; padding: 0 2px;">D</span> <span style="border: 1px solid black; padding: 0 2px;">N</span> <span style="border: 1px solid black; padding: 0 2px;">W</span> <span style="border: 1px solid black; padding: 0 2px;">L</span>
	* D:6300K±10%, N:5000K±10%, W:4000K±10%, L:2700K±10%
<b>Material</b>	Aluminum anodized
<b>Input Power</b>	AC 95~240 V, 50~60 Hz
<b>Control method</b>	IR Remote controller
<b>Installation Kit.</b>	IK-01, IK-02, IK-03, IK-04, IK-05A, IK-06

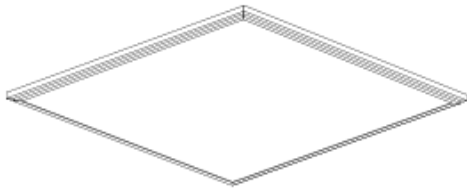
## Polar diagram



## Outline size



## Description



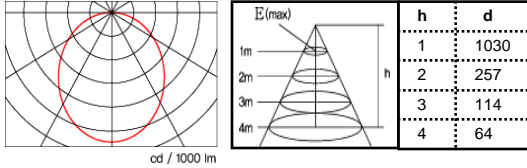
## Reference site



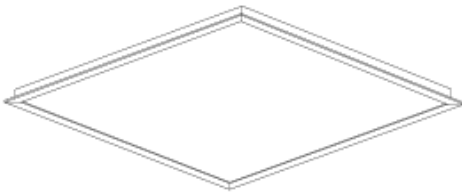


<b>Model name</b>	S66R3-D1(High illumination)
<b>Size(mm)</b>	601 x 601 x 19
<b>Power Consumption</b>	42W
<b>Illumination(Ix, at 1M)</b>	D - 1030    N - 940    W - 770    L - 640 <span style="border: 1px solid black; padding: 0 2px;">D</span> <span style="border: 1px solid black; padding: 0 2px;">N</span> <span style="border: 1px solid black; padding: 0 2px;">W</span> <span style="border: 1px solid black; padding: 0 2px;">L</span>
	* D:6300K±10%, N:5000K±10%, W:4000K±10%, L:2700K±10%
<b>Material</b>	Aluminum anodized
<b>Input Power</b>	AC 95~240 V, 50~60 Hz
<b>Control method</b>	IR Remote controller
<b>Installation Kit.</b>	IK-03, IK-05A, IK-08, IK-09

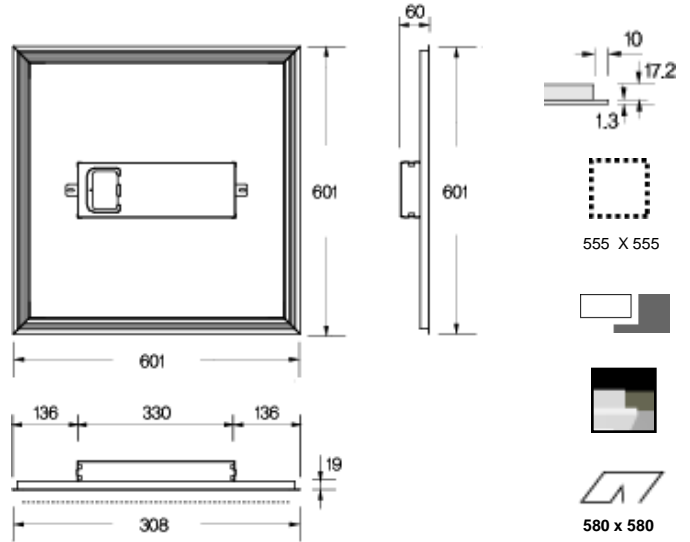
## Polar diagram



## Description



## Outline size

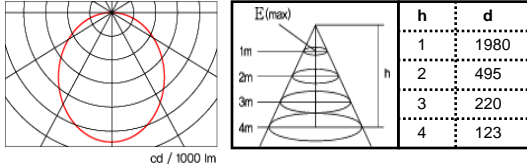


## Reference site

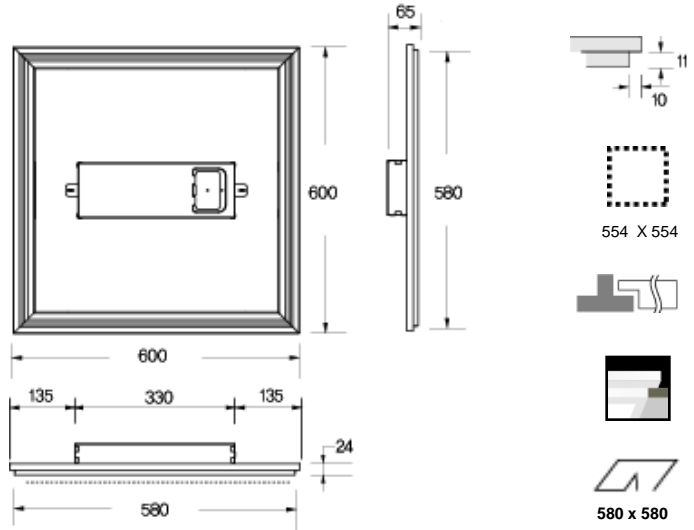


<b>Model name</b>	S66T3-D2(High illumination)
<b>Size(mm)</b>	600 x 600 x 24
<b>Power Consumption</b>	82W
<b>Illumination(Ix, at 1M)</b>	D - 1980    N - 1810    W - 1480    L - 1240 <span style="border: 1px solid black; padding: 0 2px;">D</span> <span style="border: 1px solid black; padding: 0 2px;">N</span> <span style="border: 1px solid black; padding: 0 2px;">W</span> <span style="border: 1px solid black; padding: 0 2px;">L</span>
	* D:6300K±10%, N:5000K±10%, W:4000K±10%, L:2700K±10%
<b>Material</b>	Aluminum anodized
<b>Input Power</b>	AC 95~240 V, 50~60 Hz
<b>Control method</b>	IR Remote controller
<b>Installation Kit.</b>	IK-01, IK-02, IK-03, IK-04, IK-05A, IK-06

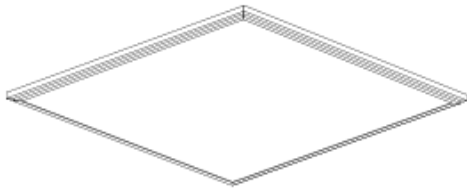
## Polar diagram



## Outline size



## Description



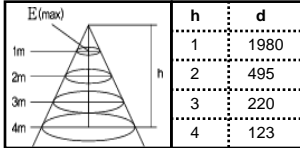
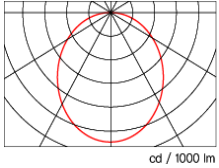
## Reference site



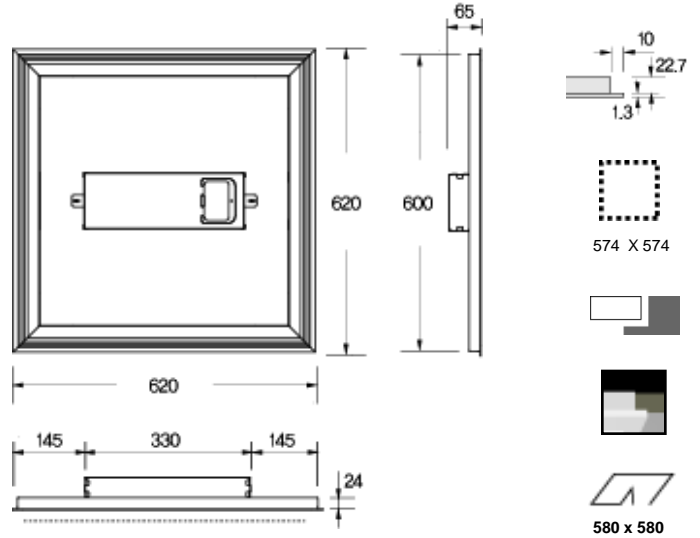
삼성물산 본사 B1 휘트니스 센터(Fitness center)

**Model name** S66R3-D2(High illumination)  
**Size(mm)** 620 x 620 x 24  
**Power Consumption** 82W  
**Illumination(Ix, at 1M)** D - 1980 N - 1810 W - 1480 L - 1240 D N W L  
\* D:6300K±10%, N:5000K±10%, W:4000K±10%, L:2700K±10%  
**Material** Aluminum anodized  
**Input Power** AC 95~240 V, 50~60 Hz  
**Control method** IR Remote controller  
**Installation Kit.** IK-03, IK-05A, IK-08, IK-09

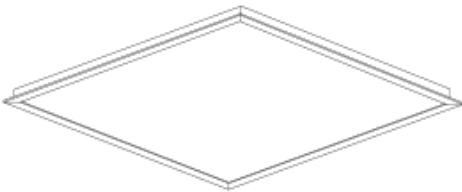
### Polar diagram



### Outline size



### Description



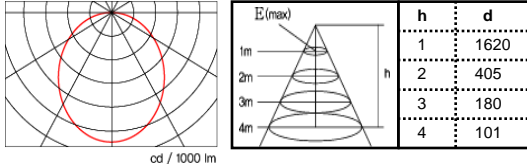
### Reference site



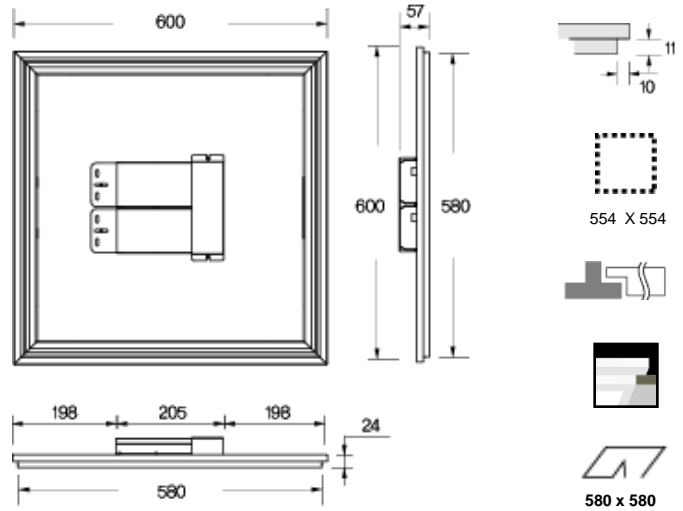


<b>Model name</b>	S66T3-E2
<b>Size(mm)</b>	600 x 600 x 24
<b>Power Consumption</b>	84W
<b>Illumination(Ix, at 1M)</b>	D ~ L - 1620 <span style="border: 1px solid black; padding: 0 2px;">D</span> <span style="border: 1px solid black; padding: 0 2px;">N</span> <span style="border: 1px solid black; padding: 0 2px;">W</span> <span style="border: 1px solid black; padding: 0 2px;">L</span> * L~D:2700K~6300K(감성)
<b>Material</b>	Aluminum anodized
<b>Input Power</b>	AC 95~240 V, 50~60 Hz
<b>Control method</b>	IR Remote controller
<b>Installation Kit.</b>	IK-01, IK-02, IK-03, IK-04, IK-05A, IK-06

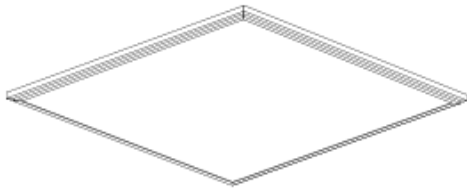
## Polar diagram



## Outline size



## Description

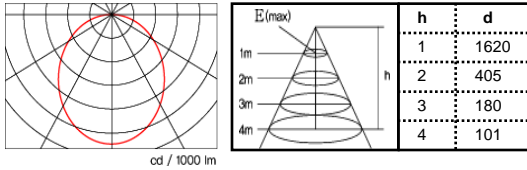


## Referance site

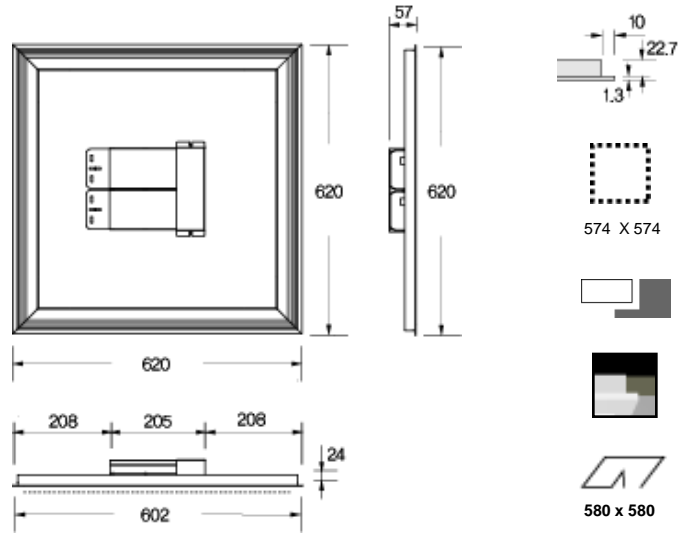


<b>Model name</b>	S66R3-E2
<b>Size(mm)</b>	620 x 620 x 24
<b>Power Consumption</b>	84W
<b>Illumination(Ix, at 1M)</b>	D ~ L - 1620 <span style="border: 1px solid black; padding: 0 2px;">D</span> <span style="border: 1px solid black; padding: 0 2px;">N</span> <span style="border: 1px solid black; padding: 0 2px;">W</span> <span style="border: 1px solid black; padding: 0 2px;">L</span> * L~D:2700K~6300K(감성)
<b>Material</b>	Aluminum anodized
<b>Input Power</b>	AC 95~240 V, 50~60 Hz
<b>Control method</b>	IR Remote controller
<b>Installation Kit.</b>	IK-03, IK-05A, IK-08, IK-09

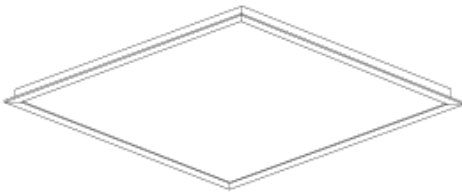
## Polar diagram



## Outline size



## Description

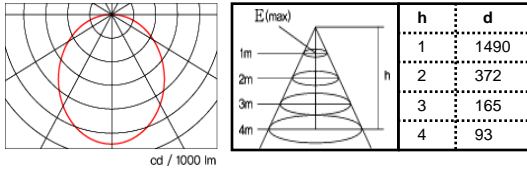


## Reference site

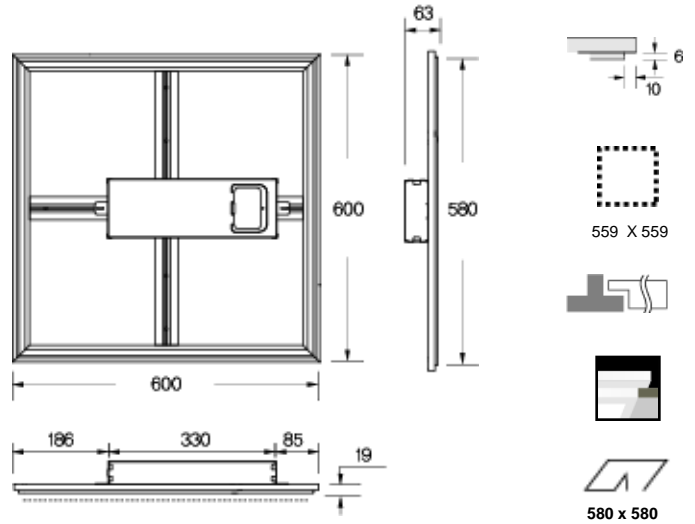


<b>Model name</b>	S66T2-D1 (High illumination)
<b>Size(mm)</b>	600 x 600 x 19
<b>Power Consumption</b>	60W
<b>Illumination(Ix, at 1M)</b>	D - 1490    N - 1370    W - 1120    L - 940 <span style="border: 1px solid black; padding: 0 2px;">D</span> <span style="border: 1px solid black; padding: 0 2px;">N</span> <span style="border: 1px solid black; padding: 0 2px;">W</span> <span style="border: 1px solid black; padding: 0 2px;">L</span>
	* D:6300K±10%, N:5000K±10%, W:4000K±10%, L:2700K±10%
<b>Material</b>	Aluminum anodized
<b>Input Power</b>	AC 95~240 V, 50~60 Hz
<b>Control method</b>	IR Remote controller
<b>Installation Kit.</b>	IK-01, IK-02, IK-03, IK-05A, IK-06

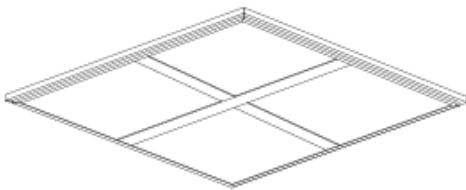
## Polar diagram



## Outline size



## Description

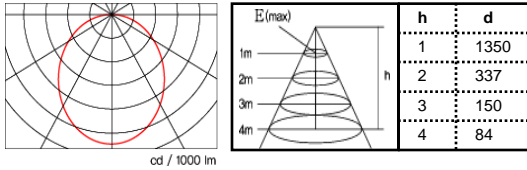


## Reference site

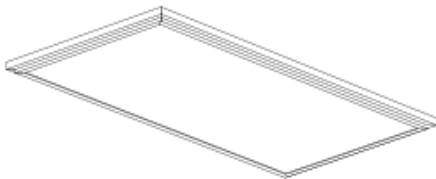


<b>Model name</b>	R36T1-D2(High illumination)
<b>Size(mm)</b>	329 x 619 x 24
<b>Power Consumption</b>	62W
<b>Illumination(Ix, at 1M)</b>	D -1350 N - 1210 W - 1010 L - 850 <span style="border: 1px solid black; padding: 0 2px;">D</span> <span style="border: 1px solid black; padding: 0 2px;">N</span> <span style="border: 1px solid black; padding: 0 2px;">W</span> <span style="border: 1px solid black; padding: 0 2px;">L</span>
	* D:6300K±10%, N:5000K±10%, W:4000K±10%, L:2700K±10%
<b>Material</b>	Aluminum anodized
<b>Input Power</b>	AC 95~240 V, 50~60 Hz
<b>Control method</b>	IR Remote controller
<b>Installation Kit.</b>	IK-01, IK-02, IK-03, IK-05A, IK-06

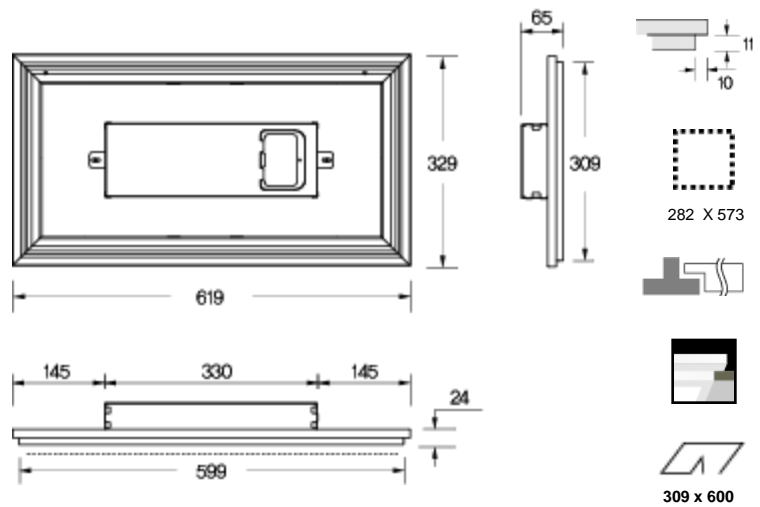
## Polar diagram



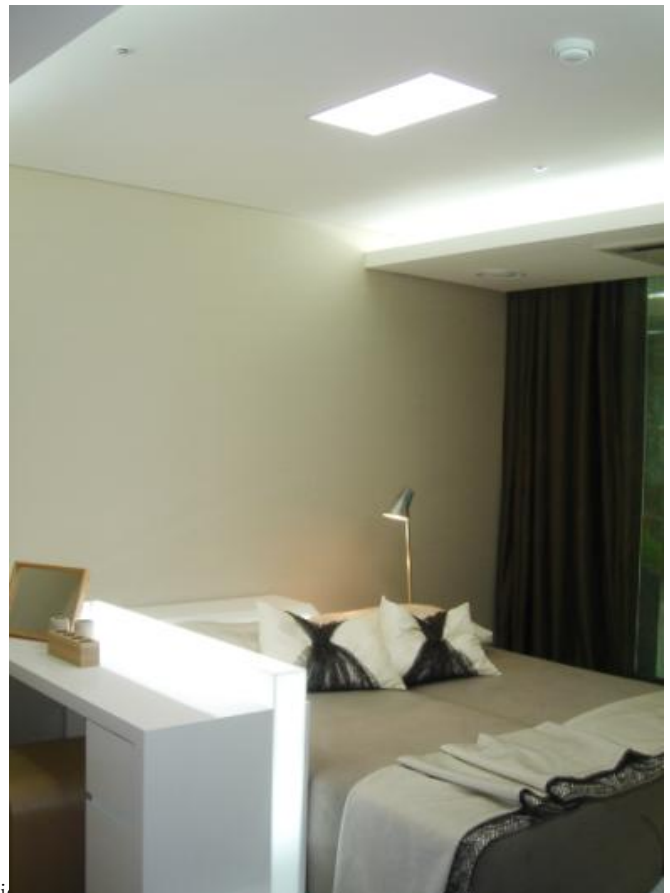
## Description



## Outline size

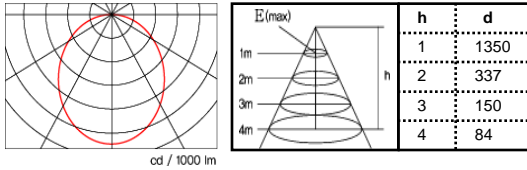


## Referance site

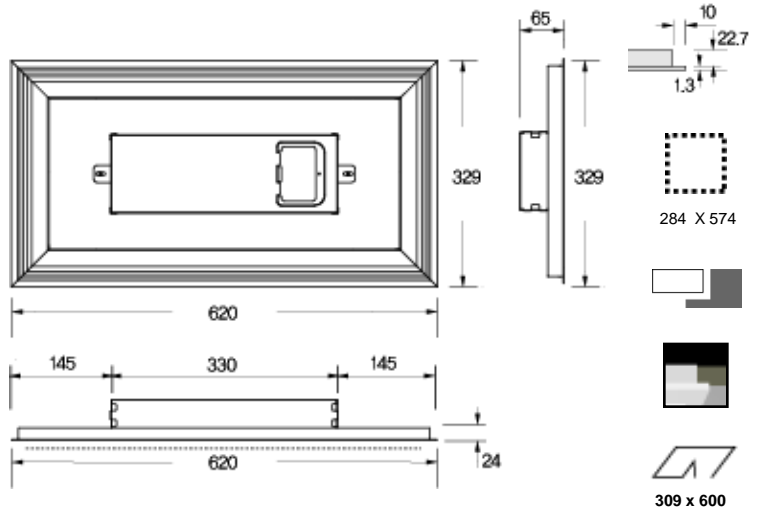


<b>Model name</b>	R36R1-D2(High illumination)
<b>Size(mm)</b>	329 x 620 x 24
<b>Power Consumption</b>	62W
<b>Illumination(Ix, at 1M)</b>	D -1350   N - 1210   W - 1010   L - 850 <span style="border: 1px solid black; padding: 0 2px;">D</span> <span style="border: 1px solid black; padding: 0 2px;">N</span> <span style="border: 1px solid black; padding: 0 2px;">W</span> <span style="border: 1px solid black; padding: 0 2px;">L</span>
	* D:6300K±10%, N:5000K±10%, W:4000K±10%, L:2700K±10%
<b>Material</b>	Aluminum anodized
<b>Input Power</b>	AC 95~240 V, 50~60 Hz
<b>Control method</b>	IR Remote controller
<b>Installation Kit.</b>	IK-01, IK-02, IK-03, IK-05A, IK-06

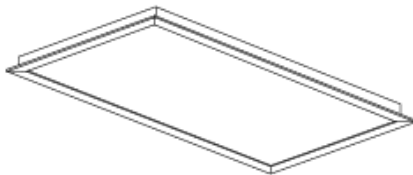
## Polar diagram



## Outline size



## Description



## Referance site

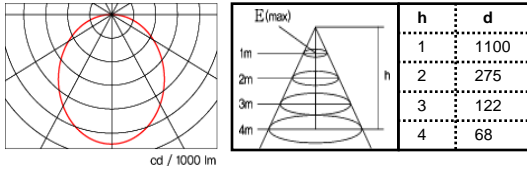


현대건설 힐스테이트 서울숲 아파트(hyundai E&C Hillstate APT.)

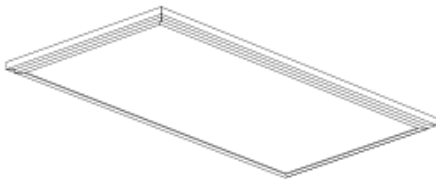


<b>Model name</b>	R36T1-E2
<b>Size(mm)</b>	329 x 619 x 24
<b>Power Consumption</b>	67W
<b>Illumination(Ix, at 1M)</b>	D ~ L - 1100 <span style="border: 1px solid black; padding: 0 2px;">D</span> <span style="border: 1px solid black; padding: 0 2px;">N</span> <span style="border: 1px solid black; padding: 0 2px;">W</span> <span style="border: 1px solid black; padding: 0 2px;">L</span> * L~D:2700K~6300K(감성)
<b>Material</b>	Aluminum anodized
<b>Input Power</b>	AC 95~240 V, 50~60 Hz
<b>Control method</b>	IR Remote controller
<b>Installation Kit.</b>	IK-01, IK-02, IK-03, IK-05A, IK-06

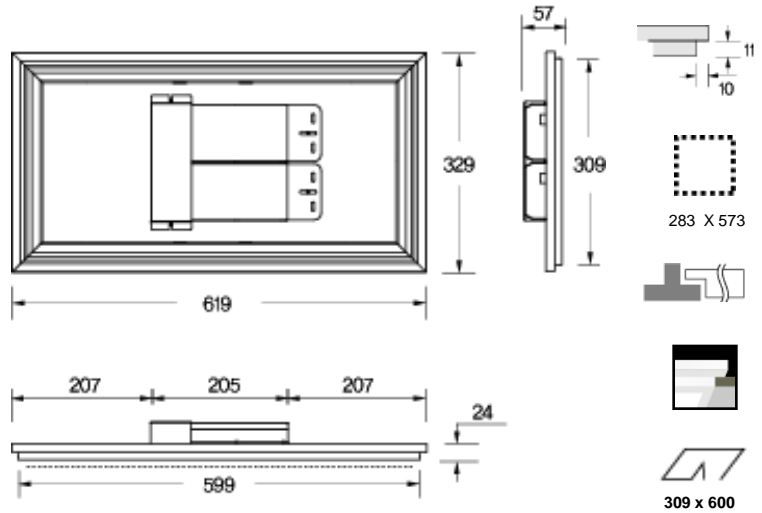
## Polar diagram



## Description



## Outline size

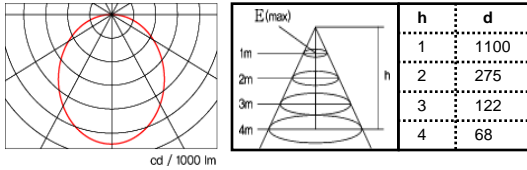


## Reference site

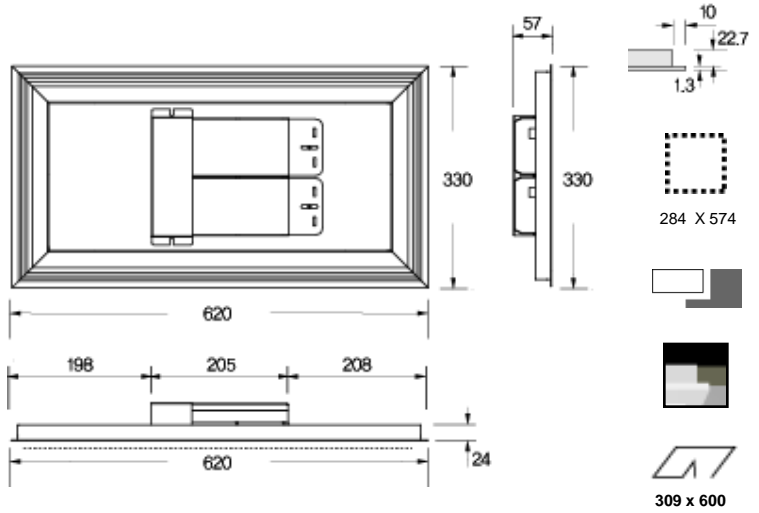


<b>Model name</b>	R36R1-E2
<b>Size(mm)</b>	330 x 620 x 24
<b>Power Consumption</b>	67W
<b>Illumination(Ix, at 1M)</b>	D ~ L - 1100 <span style="border: 1px solid black; padding: 0 2px;">D</span> <span style="border: 1px solid black; padding: 0 2px;">N</span> <span style="border: 1px solid black; padding: 0 2px;">W</span> <span style="border: 1px solid black; padding: 0 2px;">L</span> * L~D:2700K~6300K(감성)
<b>Material</b>	Aluminum anodized
<b>Input Power</b>	AC 95~240 V, 50~60 Hz
<b>Control method</b>	IR Remote controller
<b>Installation Kit.</b>	IK-01, IK-02, IK-03, IK-05A, IK-06

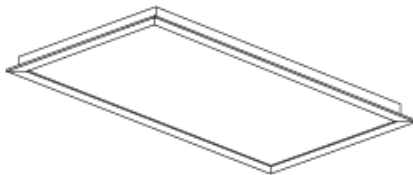
## Polar diagram



## Outline size



## Description



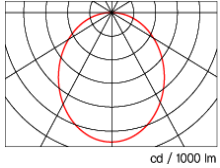
## Reference site



충북대학교 대회의실(Chungbuk Univ. Office)

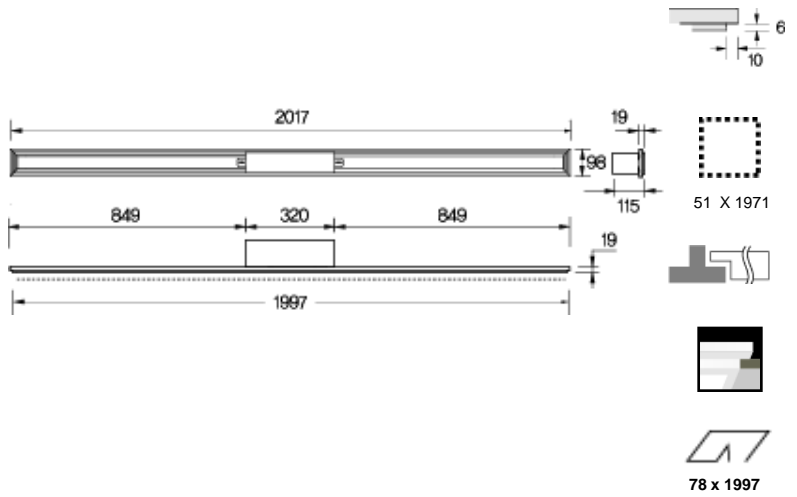
<b>Model name</b>	R120T1-E1
<b>Size(mm)</b>	98 x 2017 x 19
<b>Power Consumption</b>	65W
<b>Illumination(Ix, at 1M)</b>	D ~ L - 610 <span style="border: 1px solid black; padding: 0 2px;">D</span> <span style="border: 1px solid black; padding: 0 2px;">N</span> <span style="border: 1px solid black; padding: 0 2px;">W</span> <span style="border: 1px solid black; padding: 0 2px;">L</span> * L~D:2700K~6300K(감성)
<b>Material</b>	Aluminum anodized
<b>Input Power</b>	AC 95~240 V, 50~60 Hz
<b>Control method</b>	IR Remote controller
<b>Installation Kit.</b>	IK-01, IK-02, IK-03, IK-05A, IK-06

## Polar diagram

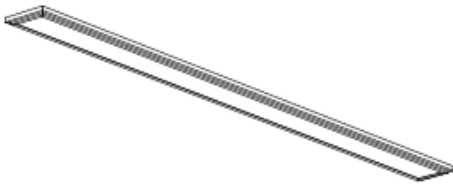


E (max)	h	d
1m	1	610
2m	2	152
3m	3	67
4m	4	38

## Outline size



## Description



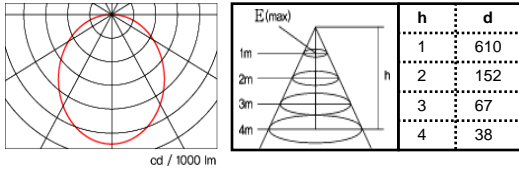
## Reference site



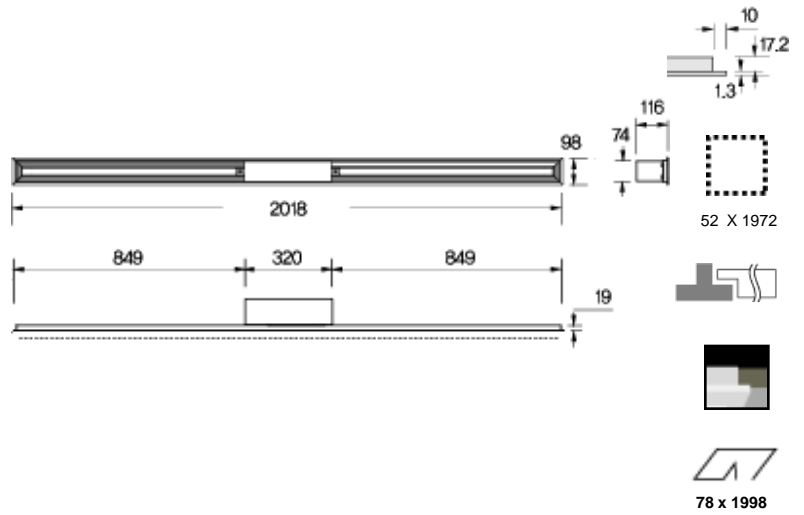
두성페이퍼 갤러리(Doosung paper gallery)

<b>Model name</b>	R120R1-E1
<b>Size(mm)</b>	98 x 2018 x 19
<b>Power Consumption</b>	65W
<b>Illumination(Ix, at 1M)</b>	D ~ L - 610 <span style="border: 1px solid black; padding: 0 2px;">D</span> <span style="border: 1px solid black; padding: 0 2px;">N</span> <span style="border: 1px solid black; padding: 0 2px;">W</span> <span style="border: 1px solid black; padding: 0 2px;">L</span> * L~D:2700K~6300K(감성)
<b>Material</b>	Aluminum anodized
<b>Input Power</b>	AC 95~240 V, 50~60 Hz
<b>Control method</b>	IR Remote controller
<b>Installation Kit.</b>	IK-03, IK-05A, IK-08, IK-09

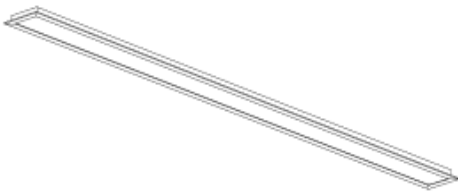
## Polar diagram



## Outline size



## Description



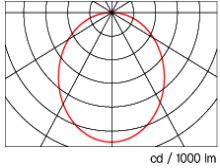
## Reference site



대우 푸르지오 주택전시관(Daewoo Prugio)

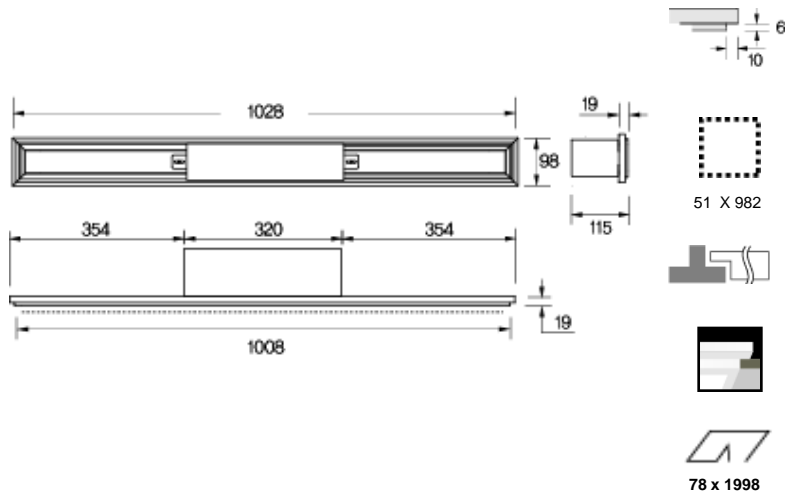
<b>Model name</b>	R110T1-E1
<b>Size(mm)</b>	98 x 1028 x 19
<b>Power Consumption</b>	36W
<b>Illumination(Ix, at 1M)</b>	D ~ L - 440 <span style="border: 1px solid black; padding: 0 2px;">D</span> <span style="border: 1px solid black; padding: 0 2px;">N</span> <span style="border: 1px solid black; padding: 0 2px;">W</span> <span style="border: 1px solid black; padding: 0 2px;">L</span> * L~D:2700K~6300K(감성)
<b>Material</b>	Aluminum anodized
<b>Input Power</b>	AC 95~240 V, 50~60 Hz
<b>Control method</b>	IR Remote controller
<b>Installation Kit.</b>	IK-01, IK-02, IK-03, IK-05A, IK-06

## Polar diagram

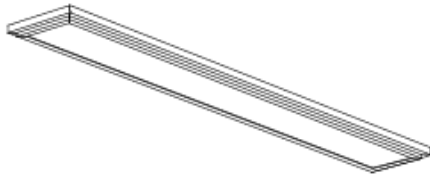


E (max)	h	d
1m	1	440
2m	2	110
3m	3	48
4m	4	27

## Outline size



## Description



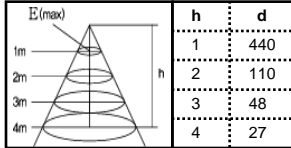
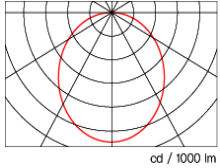
## Referance site



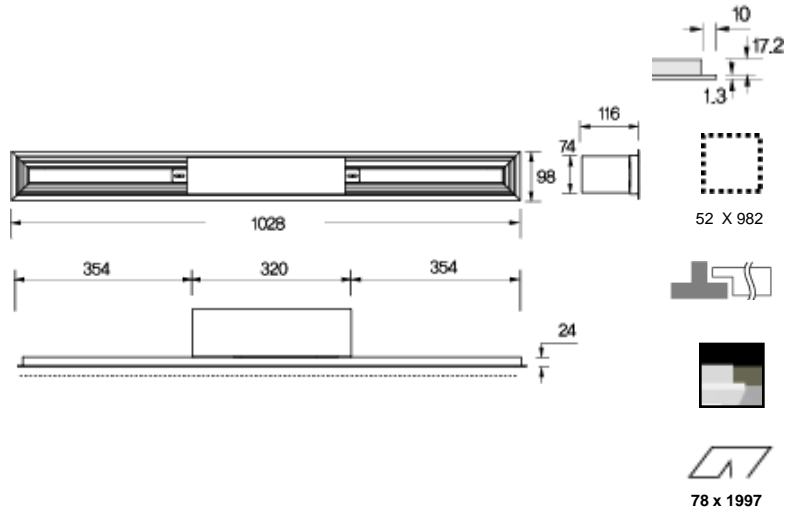


<b>Model name</b>	R110R1-E1
<b>Size(mm)</b>	98 x 1028 x 24
<b>Power Consumption</b>	36W
<b>Illumination(Ix, at 1M)</b>	D ~ L - 440 <span style="border: 1px solid black; padding: 0 2px;">D</span> <span style="border: 1px solid black; padding: 0 2px;">N</span> <span style="border: 1px solid black; padding: 0 2px;">W</span> <span style="border: 1px solid black; padding: 0 2px;">L</span> * L~D:2700K~6300K(감성)
<b>Material</b>	Aluminum anodized
<b>Input Power</b>	AC 95~240 V, 50~60 Hz
<b>Control method</b>	IR Remote controller
<b>Installation Kit.</b>	IK-03, IK-05A, IK-08, IK-09

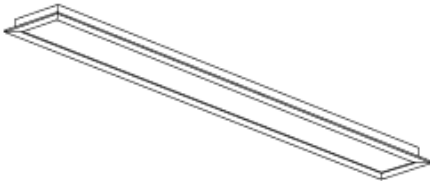
## Polar diagram



## Outline size



## Description



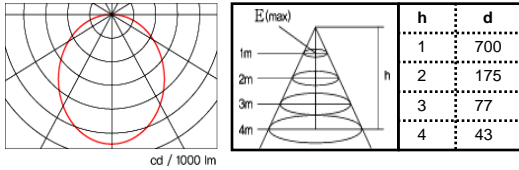
## Referance site



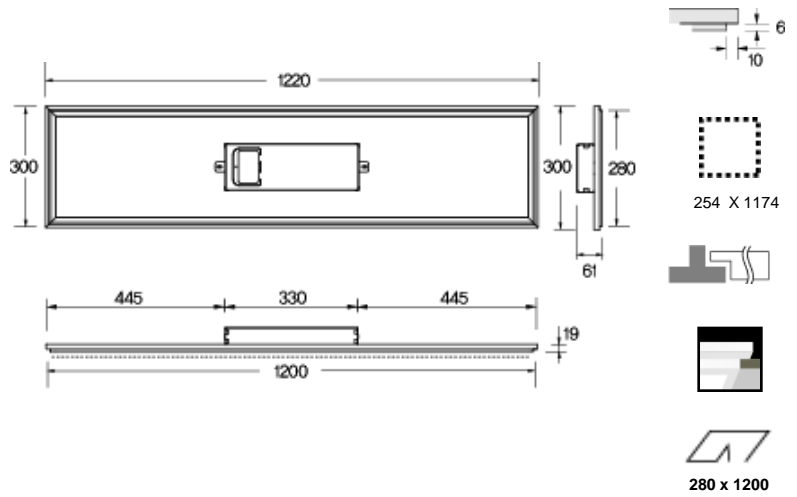
대우 푸르지오 주택전시관(Daewoo Prugio)(참고이미지)

<b>Model name</b>	R312T1-D1(High illumination)
<b>Size(mm)</b>	300 x 1220 x 19
<b>Power Consumption</b>	42W
<b>Illumination(Ix, at 1M)</b>	D - 700   N - 640   W - 520   L - 440 <span style="border: 1px solid black; padding: 0 2px;">D</span> <span style="border: 1px solid black; padding: 0 2px;">N</span> <span style="border: 1px solid black; padding: 0 2px;">W</span> <span style="border: 1px solid black; padding: 0 2px;">L</span>
	* D:6300K±10%, N:5000K±10%, W:4000K±10%, L:2700K±10%
<b>Material</b>	Aluminum anodized
<b>Input Power</b>	AC 95~240 V, 50~60 Hz
<b>Control method</b>	IR Remote controller
<b>Installation Kit.</b>	IK-01, IK-02, IK-03, IK-05A, IK-06

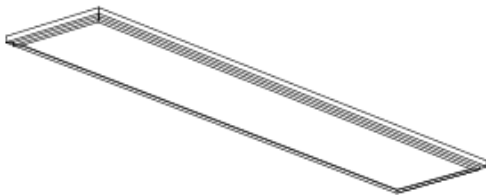
## Polar diagram



## Outline size



## Description

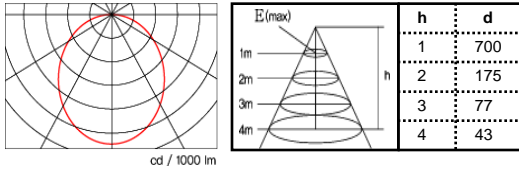


## Referance site

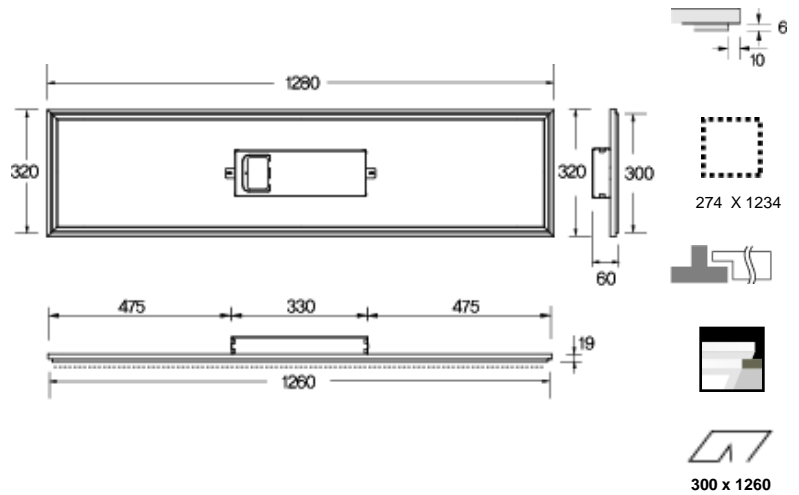


<b>Model name</b>	R313T1-D1(High illumination)
<b>Size(mm)</b>	320 x 1280 x 19
<b>Power Consumption</b>	42W
<b>Illumination(Ix, at 1M)</b>	D - 700   N - 640   W - 520   L - 440 <span style="border: 1px solid black; padding: 0 2px;">D</span> <span style="border: 1px solid black; padding: 0 2px;">N</span> <span style="border: 1px solid black; padding: 0 2px;">W</span> <span style="border: 1px solid black; padding: 0 2px;">L</span>
<b>Material</b>	Aluminum anodized
<b>Input Power</b>	AC 95~240 V, 50~60 Hz
<b>Control method</b>	IR Remote controller
<b>Installation Kit.</b>	IK-01, IK-02, IK-03, IK-05A, IK-06

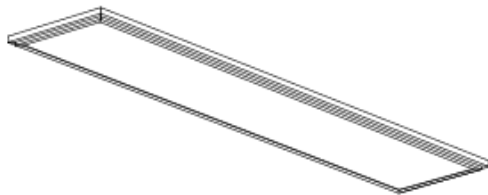
## Polar diagram



## Outline size



## Description

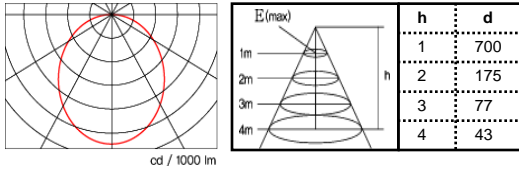


## Referance site

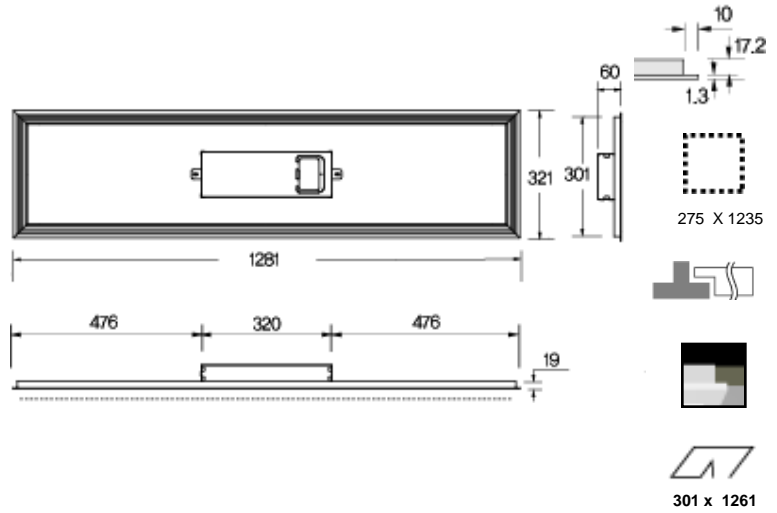


<b>Model name</b>	R313R1-D1(High illumination)
<b>Size(mm)</b>	321 x 1281 x 19
<b>Power Consumption</b>	42W
<b>Illumination(Ix, at 1M)</b>	D - 700 N - 640 W - 520 L - 440 <span style="border: 1px solid black; padding: 0 2px;">D</span> <span style="border: 1px solid black; padding: 0 2px;">N</span> <span style="border: 1px solid black; padding: 0 2px;">W</span> <span style="border: 1px solid black; padding: 0 2px;">L</span>
<b>Material</b>	Aluminum anodized
<b>Input Power</b>	AC 95~240 V, 50~60 Hz
<b>Control method</b>	IR Remote controller
<b>Installation Kit.</b>	IK-01, IK-02, IK-03, IK-05A, IK-06

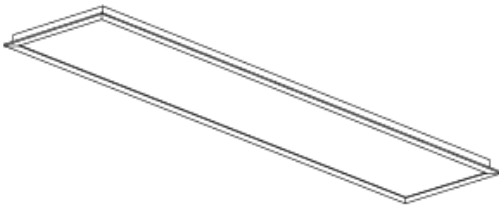
## Polar diagram



## Outline size



## Description

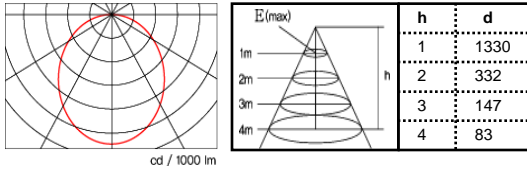


## Referance site

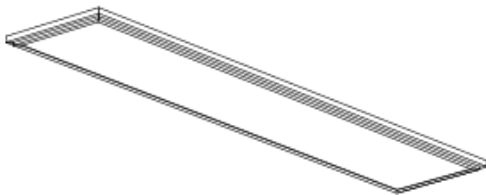


<b>Model name</b>	R313T1-D2(High illumination)
<b>Size(mm)</b>	320 x 1280 x 24
<b>Power Consumption</b>	82W
<b>Illumination(Ix, at 1M)</b>	D - 1330 N - 1210 W - 990 L - 830 <span style="border: 1px solid black; padding: 0 2px;">D</span> <span style="border: 1px solid black; padding: 0 2px;">N</span> <span style="border: 1px solid black; padding: 0 2px;">W</span> <span style="border: 1px solid black; padding: 0 2px;">L</span>
	* D:6300K±10%, N:5000K±10%, W:4000K±10%, L:2700K±10%
<b>Material</b>	Aluminum anodized
<b>Input Power</b>	AC 95~240 V, 50~60 Hz
<b>Control method</b>	IR Remote controller
<b>Installation Kit.</b>	IK-01, IK-02, IK-03, IK-05A, IK-06

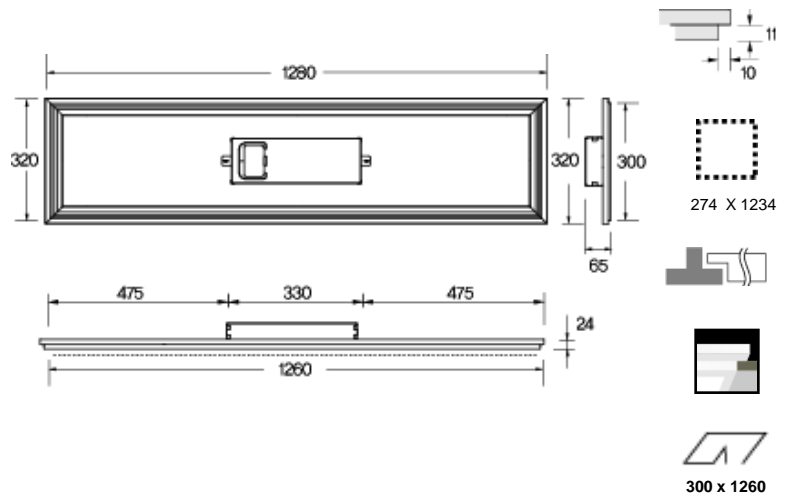
## Polar diagram



## Description



## Outline size



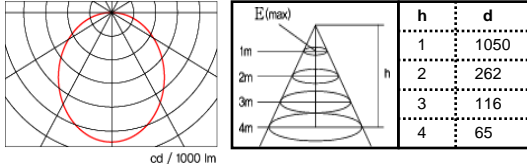
## Referance site



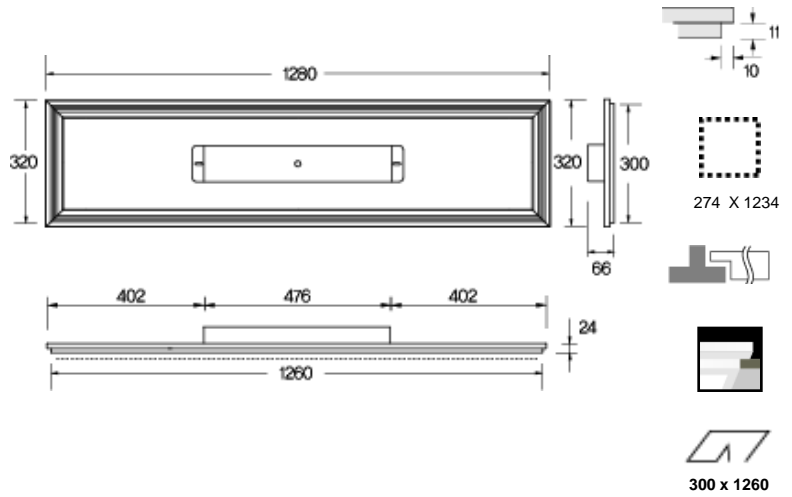


<b>Model name</b>	R313T1-E2
<b>Size(mm)</b>	320 x 1280 x 24
<b>Power Consumption</b>	82W
<b>Illumination(Ix, at 1M)</b>	D ~ L - 1050 <span style="border: 1px solid black; padding: 0 2px;">D</span> <span style="border: 1px solid black; padding: 0 2px;">N</span> <span style="border: 1px solid black; padding: 0 2px;">W</span> <span style="border: 1px solid black; padding: 0 2px;">L</span> * L~D:2700K~6300K(감성)
<b>Material</b>	Aluminum anodized
<b>Input Power</b>	AC 95~240 V, 50~60 Hz
<b>Control method</b>	IR Remote controller
<b>Installation Kit.</b>	IK-01, IK-02, IK-03, IK-05A, IK-06

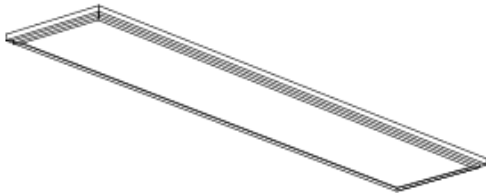
## Polar diagram



## Outline size



## Description

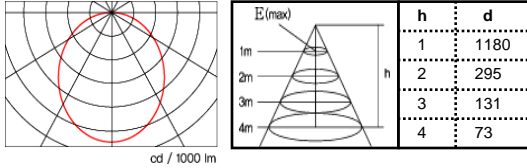


## Referance site

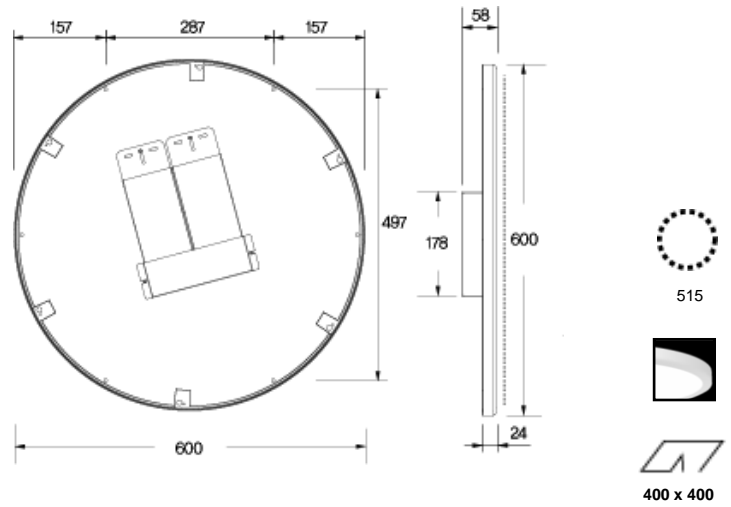


<b>Model name</b>	C6S1-E2				
<b>Size(mm)</b>	Φ600 x 24H				
<b>Power Consumption</b>	67W				
<b>Illumination(Ix, at 1M)</b>	D ~ L - 1180	D	N	W	L * L~D:2700K~6300K(감성)
<b>Material</b>	Aluminum anodized				
<b>Input Power</b>	AC 95~240 V, 50~60 Hz				
<b>Control method</b>	IR Remote controller				
<b>Installation Kit.</b>	IK-03, IK-05A				

## Polar diagram



## Outline size



## Description

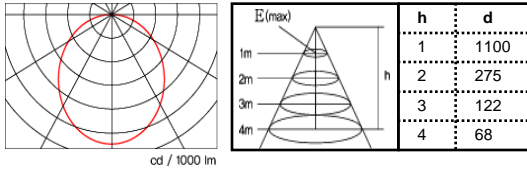


## Reference site

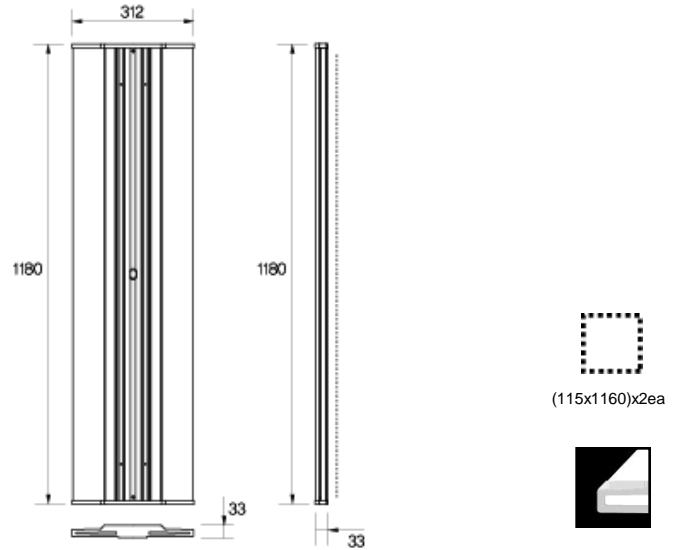


<b>Model name</b>	R312N1-E2
<b>Size(mm)</b>	312 x 1180 x 33
<b>Power Consumption</b>	83W
<b>Illumination(Ix, at 1M)</b>	D ~ L - 1100 <span style="border: 1px solid black; padding: 0 2px;">D</span> <span style="border: 1px solid black; padding: 0 2px;">N</span> <span style="border: 1px solid black; padding: 0 2px;">W</span> <span style="border: 1px solid black; padding: 0 2px;">L</span> * L~D:2700K~6300K(감성)
<b>Material</b>	Aluminum anodized
<b>Input Power</b>	AC 95~240 V, 50~60 Hz
<b>Control method</b>	IR Remote controller
<b>Installation Kit.</b>	IK-05B, IK-07B

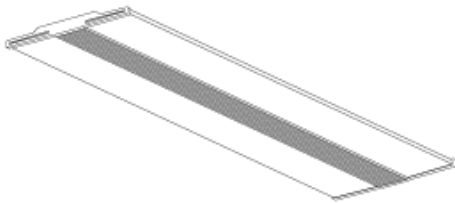
## Polar diagram



## Outline size



## Description

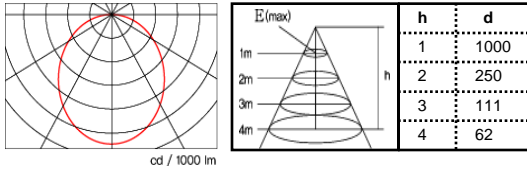


## Referance site

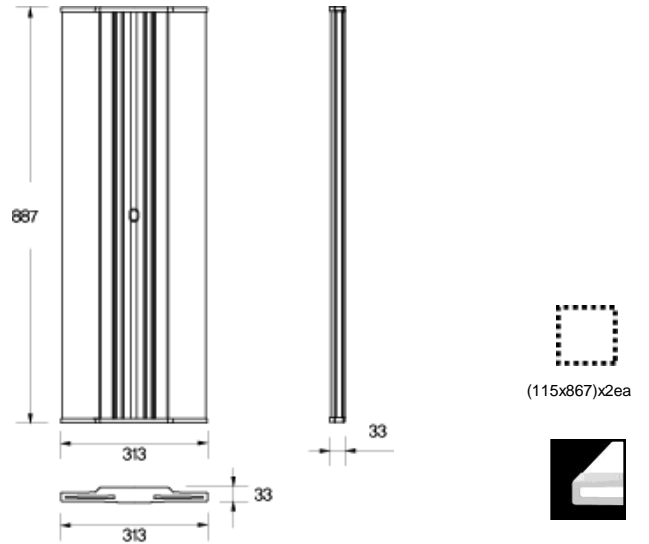


<b>Model name</b>	R39N1-E2
<b>Size(mm)</b>	313 x 887 x 33
<b>Power Consumption</b>	64W
<b>Illumination(Ix, at 1M)</b>	D ~ L - 1000 <span style="border: 1px solid black; padding: 0 2px;">D</span> <span style="border: 1px solid black; padding: 0 2px;">N</span> <span style="border: 1px solid black; padding: 0 2px;">W</span> <span style="border: 1px solid black; padding: 0 2px;">L</span> * L~D:2700K~6300K(감성)
<b>Material</b>	Aluminum anodized
<b>Input Power</b>	AC 95~240 V, 50~60 Hz
<b>Control method</b>	IR Remote controller
<b>Installation Kit.</b>	IK-05B, IK-07B

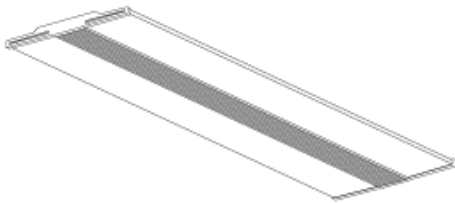
## Polar diagram



## Outline size



## Description



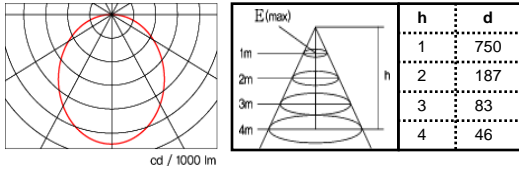
## Referance site



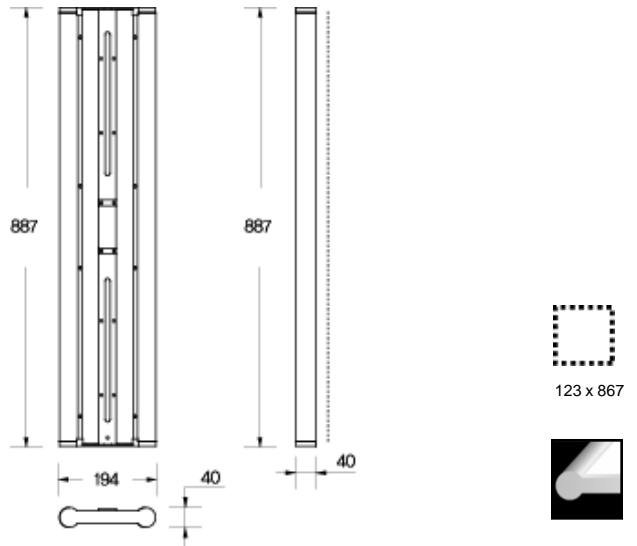
참고이미지

<b>Model name</b>	R29S1-E2
<b>Size(mm)</b>	194 x 887 x 40
<b>Power Consumption</b>	60W
<b>Illumination(Ix, at 1M)</b>	D ~ L - 750 <span style="border: 1px solid black; padding: 0 2px;">D</span> <span style="border: 1px solid black; padding: 0 2px;">N</span> <span style="border: 1px solid black; padding: 0 2px;">W</span> <span style="border: 1px solid black; padding: 0 2px;">L</span> * L~D:2700K~6300K(감성)
<b>Material</b>	Aluminum anodized
<b>Input Power</b>	AC 95~240 V, 50~60 Hz
<b>Control method</b>	IR Remote controller
<b>Installation Kit.</b>	IK-07A

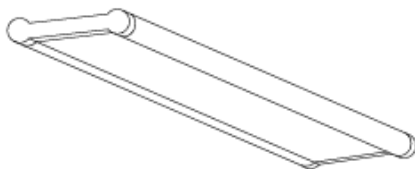
## Polar diagram



## Outline size



## Description



## Reference site



현대건설 힐스테이트 대구월배지  
구 공부방조명  
(Hyundai E&C Hilliatate  
Studyroom right)



제품명	프레임형태	사이즈 (T bar 기준)	소비전력	조도				적용설치키트	형태
				D	N	W	L		
S33T1-D1	T	307 x 307 x 19	22	510	460	380	320	IK 01, 03, 05, 06, 10	①
S33T1-D2	T	307 x 307 x 24	36	760	700	570	480	IK 01, 03, 05, 06, 10	①
S33T1-E2	T	307 x 307 x 24	36	630	-	-	-	IK 01, 03, 05, 06, 10	①
S66T3-D1	T,R	600 x 600 x 19	42	1030	940	770	640	IK 01, 02, 03, 05, 06, 10	②
S66T3-D2	T,R	600 x 600 x 24	82	1980	1810	1480	1240	IK 01, 02, 03, 05, 06, 10	②
S66T3-E2	T,R	600 x 600 x 24	84	1620	-	-	-	IK 01, 02, 03, 05, 06, 10	②
S66T2-D1	T	600 x 600 x 19	60	1490	1370	1120	940	IK 01, 02, 03, 04, 05, 06, 10	⑩
R36T1-D2	T,R	329 x 619 x 24	62	1350	1210	1010	850	IK 01, 03, 05, 06, 10	③
R36T1-E2	T,R	329 x 619 x 24	67	1100	-	-	-	IK 01, 03, 05, 06, 10	③
R120T1-E1	T,R	98 x 2017 x 19	65	610	-	-	-	IK 01, 03, 05, 06	⑤
R110T1-E1	T,R	98 x 1028 x 19	36	440	-	-	-	IK 01, 03, 05, 06	⑤
R312T1-D1	T	300 x 1220 x 19	42	700	640	520	440	IK 01, 02, 03, 05, 06, 10	④
R313T1-D1	T,R	320 x 1280 x 19	42	700	640	520	440	IK 01, 02, 03, 05, 06, 10	④
R313T1-D2	T	320 x 1280 x 24	82	1330	1210	990	830	IK 01, 02, 03, 05, 06, 10	④
R313T1-E2	T	320 x 1280 x 24	82	1050	-	-	-	IK 01, 02, 03, 05, 06, 10	④
C6S1-E2	S	φ600 x 24H	67	1180	-	-	-	IK 02, 05, 10	⑥
R312N1-E2	N	312 x 1180 x 33	83	1100	-	-	-	IK 07	⑦
R39N1-E2	N	313 x 887 x 33	64	1000	-	-	-	IK 07	⑧
R29S1-E2	N	194 x 887 x 40	60	750	-	-	-	IK 07	⑨

## 형태



### Note

- Specifications of products are subject to change without notice
- Color Temperature (D:6300K±10%, N:5000K±10%, W:4000K±10%, L:2700K±10%, L~D:2700K~6300K) • Input Power : AC 95~240V, 50~60Hz
- Installation kit options are to be refer to our Website, ([www.kdtdisplay.com](http://www.kdtdisplay.com) [www.godolight.com](http://www.godolight.com))
- Illumination Spec. : minimum value • Power spec. : ±5%

### 프레임형태

[R-type]



[T-type]



개정제품명 읽는 방법 | ex) S33T1-D1 : S▶타입 33▶규격 T▶프레임형태 1▶버전 - D▶색온도 1▶층수

\*제품의 외관디자인 및 규격은 제품의 품질향상을 위하여 사전 예고 없이 변경될 수 있습니다.

## 평면 LED 조명 형태 및 특징

### 장수명

초기 광속 대비 30% 광속 저하시 까지 소요되는 시간이 약30,000~50,000 시간으로 장수명 조명.

### 환경친화적 조명

RoHS 기준에 적합한 자재로만 구성된 환경친화적인 제품.

### 저전력

기준에 조명제품 대비 15%~50% 에너지 절감.

### 복사열 없는 광원

발광면에서 복사열이 나오지 않기 때문에 작업면 온도가 올라가지 않는 광원으로 쾌적한 조명환경 제공.

### 자연광

세계 최초로 개발된 PLF™ 기술이 적용되어 기존의 유사백색의 LED 조명에 비하여 자연광에 근접한 광원 구현.

### 웰빙 조명

피부와 눈에 자극을 줄 수 있는 자외선방출을 0%의 웰빙조명.

### 전자파(EMI)와 깜빡임 없는 조명

안정기를 사용하는 기존의 형광등은 전자파 및 깜빡임을 가지고 있어서 방송 환경이나 눈에 피로감을 줄 수 있었으나, LED 조명 전용 안정기를 적용하여 전자파를 차단하고 깜빡임이 없는 조명 구현.

### 밝기 조절 기능

적외선(IR) 센서가 장착되어 리모콘으로 자유로운 디밍 및 연출 제어 가능.

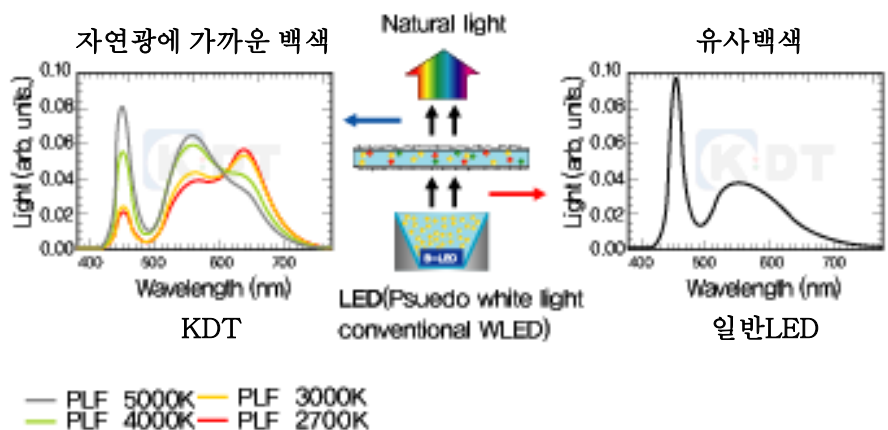
### 균일한 면광원

편안한 조명 환경 연출이 가능한 균일한 면 광원 실현.  
( > 80%).

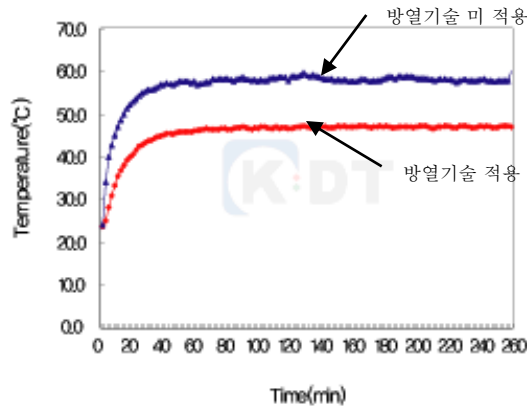
### 네트워크 기능

안정기를 마스터 또는 슬레이브 모드로 설정하는 모드 스위치를 제공하여 여러 개 제품을 네트워크로 연동하여 제어 가능. (RS485, DMX512 제어 가능(옵션))

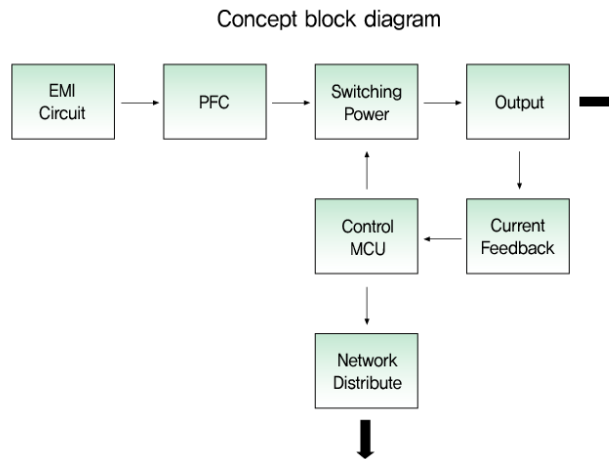
## PLF™ 기술



고 신뢰성을 위한 방열 기술 적용



구동 개략도



인증



안정기

최대 출력 용량 : 100W  
 최대 부하시 역률 : 90% 이상  
 입력 VAC : 100 ~ 240V  
 입력 주파수 AC : 50/60Hz  
 작동 온도/습도 : -10°C~45°C, 75±20% RH  
 보관 온도/습도 : -40°C~85°C, 75±20% RH

설치

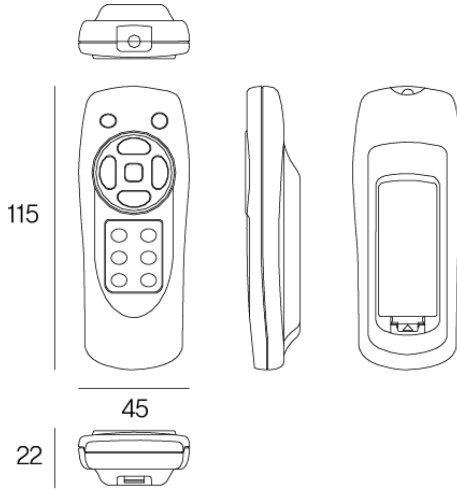
1) M-bar 천장 형태에 적용될 수 있는 프레임.  
 2) 직부천장 형태에 적용될 수 있는 프레임.  
 \*Note : PSU는 개별 구매 가능.  
 PSU 분리설치 시 DC 연장선은 길이에 따라 판매 가능.

제품명 읽는 방법

Type	규격	Frame형태	Version	-	색온도	층수	-	option
S,R,C,T,O	-100mm단위 -치수는 100으로 나누어 100단위 이하 10단위 위는 버리거나 올림. -짧은쪽을 먼저씀	T, R, S (스킨형), N(누드형)	치수변경, 층수를 제외한 기하구조 변경, 핵심 부품 또는 배열 변경시, skin형태취할시, Nude 형태취할시 1,2,3,4...	-	D,N,W,L,E	1,2,3,4...	-	취부,pendent, hole 가공 등



Model name KDT R-2 Remote controller  
 Size(mm) 115 x 45 x 22  
 Battery type AAA x 2



## ■ 버튼 기능 설명



: 전 원 - 버튼을 누르면 소등 됨.  
 좌/우/상/하 버튼 또는 신(Scene) 버튼을 누르면 점등됨.



: R (Reset) - 2초 이상 누르면 전체 신(Scene) 값이 초기화 됨.  
 R 버튼 누른 후 초기화 하고자 하는 신(Scene) 키를 누르면 해당 신(Scene)만 초기화 됨.



: M (Memory) - M 버튼을 누른 후 신(Scene) 버튼을 누르면 현재 상태가 해당 신(Scene)에 저장 됨.



: 좌/우 버튼 - 색온도를 조절 함.  
 왼쪽 버튼( )은 낮은 색온도(전구색)로 조절 시 사용 함.  
 오른쪽 버튼( )은 높은 색온도(주광색)로 조절 시 사용 함.

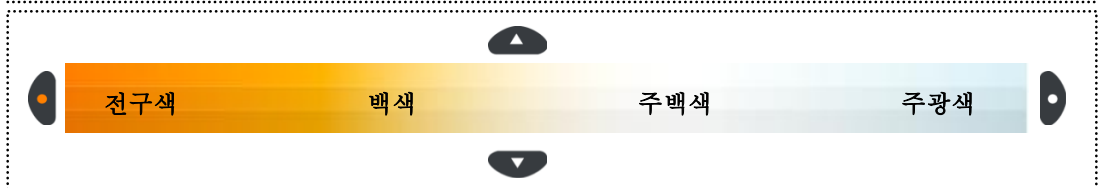


: 상/하 버튼 - 밝기를 조절 함.  
 위의 버튼( )은 밝기를 점점 밝게 조절 시 사용 함.  
 아래 버튼( )은 밝기를 점점 어둡게 조절 시 사용 함.



: 신(Scene) 버튼 : 사전에 설정해둔 상태로 점등 됨.

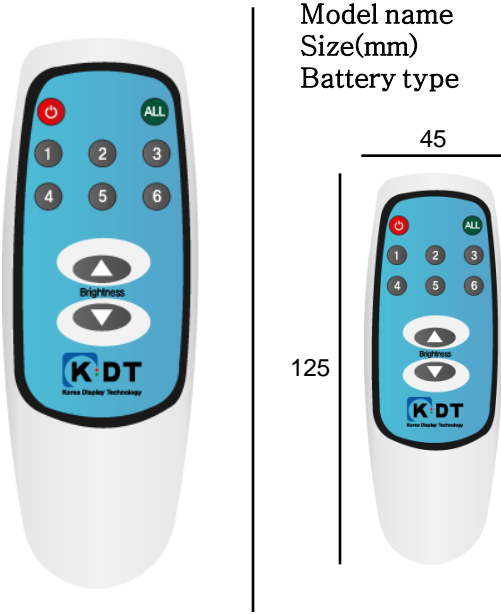
수리영역(주광색)	암기영역(백색)
휴식영역(전구색)	취침영역(전구색)
최대 밝기 / 중간 색온도로 점등.	중간 밝기 / 중간 색온도로 점등.



<참고사항> 1. 전원을 차단하면 설정값이 초기화 됨. 2. 전원버튼은 소등만 됨. 전원버튼, M버튼, R버튼을 제외한 나머지 버튼을 누르면 점등 됨.

3. IR 감지 거리는 기본 10m 정도임. (단, IR센서와 리모콘 간에 장애물 및 각도에 제한을 받아 거리는 단축될 수 있으니, 제품 설치 시 고려하여 설치 요.)

4. 모든 scene 값은 전원이 차단되면(리모컨으로 off시에는 기억 함) 초기화로 setting 됨.



Model name KDT R-1 Remote controller  
 Size(mm) 125 x 45 x 20  
 Battery type AAA x 2

## ■ 버튼 기능 설명



: 전 원 - 점등 및 소등 시 사용.  
 \* 소등 시 서서히 소등 됨.



: 그룹 ALL - 모든 영역에 있는 제품 제어 시 All 버튼을 누른 후 전원 또는 상(하) 버튼을 누르면 제어가 가능 함.



: 그룹버튼 - 비감성 제품 : 총 6개의 그룹으로 나누어 저장해 놓을 수 있음.  
 감성 제품 : 총 3개(12,34,56)의 그룹까지 지정할 수 있음.



: 상(하) 버튼 - 상(하) 버튼을 누르면 밝기가 밝아짐(어두워 짐).  
 7단계로 밝기 조절 됨.

### [감성,비감성 제품 조도(밝기) 제어]

전체그룹 제어 : ALL + 상(하)

개별그룹 제어 : 개별그룹번호(1~6) + 상(하)

### [감성제품 색온도(전구색~주광색) 제어]

전구색 → 주백색 : 2 + ▲

주백색 → 전구색 : 2 + ▼

주백색 → 주광색 : 1 + ▼

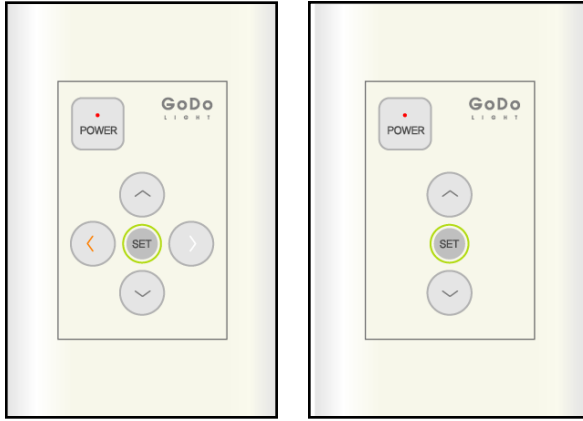
주광색 → 주백색 : 1 + ▲

\*최대(최소) 밝기 제어 : ALL + 상(하)

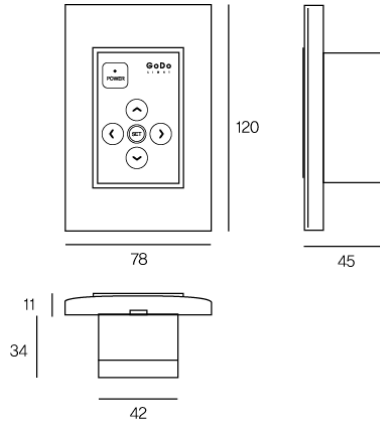


<참고사항> 1. IR 감지 거리는 기본 10m 정도임. 단, IR센서와 리모컨 간에 장애물 및 각도에 제한을 받아 거리는 단축될 수 있으니, 제품 설치 시 고려하여 설치 요. 2. 리모컨 전원 Off 후 10초 이내에 전원을 On 할 경우 전원 Off 시의 기억된 조도로 다시 켜지게 됨.

# 벽 스위치 (WALL SWITCH(NETWORK))



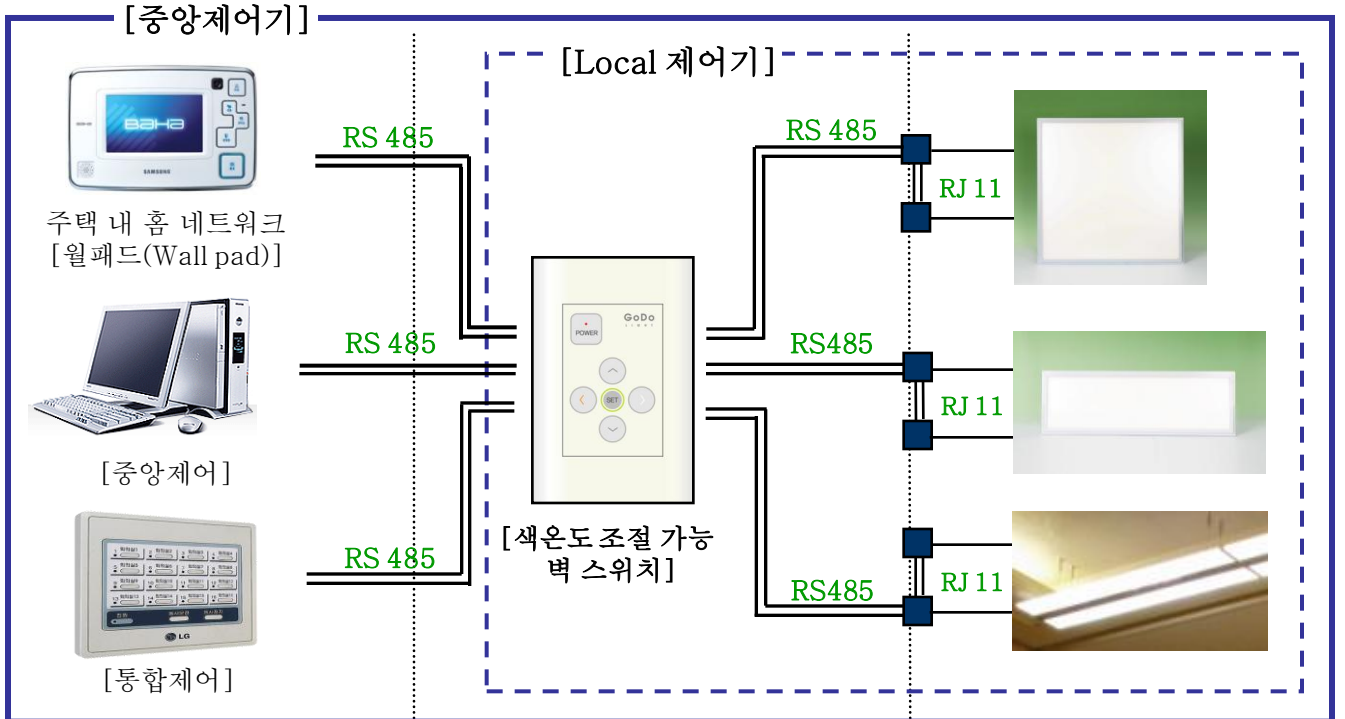
1. AC 규격: 220V, 60Hz
2. 전등1회로 : 최대 16A
3. 소비전력 : 2.8W
4. 조명과 인터페이스 : RS-485 통신
5. 설치형태 : Wall Box 매입형(1개용 스위치 박스 사용)
6. 규격 : 78mm X 126mm X 42.6mm [W x H x D]



[ 색온도 조절 가능 스위치 | 밝기 조절 가능 스위치 ]

## SYSTEM

485변환기



[중앙제어기]

[Local 제어기]

[LED조명기구  
최대제어 가능수량]

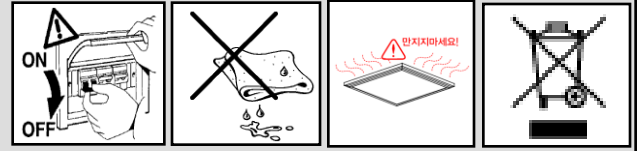
사용전원 : AC220V, 50Hz  
 부하용량 : 전등 1회로 최대 16A  
 소비전력 : 2.8W  
 인터페이스 : 홈 네트워크와 RS-485통신  
 설치형태 : Wall Box 매입형  
 규격(WxHxD) : 78 x 120 x 42.6 (mm)

감성16set, 비 감성32set 내 외  
 (이상수량 설치 요구 시 별도의 485  
 리피터기가 필요 함.)

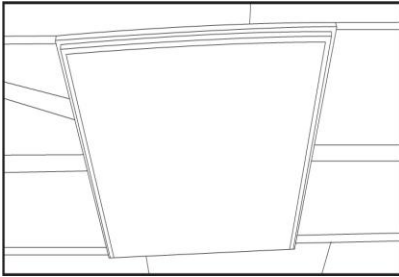


## 설치하시기 전 주의사항 !!

1. 설치하시기 전에 전원을 차단하여 주세요.
2. 물기가 있는 수건이나 형질으로 닦지 마세요.
3. 물기 및 습기가 낮은 곳에 보관 및 설치하여 주세요.
4. 어린이들이 만지지 않도록 주의하여 주세요.

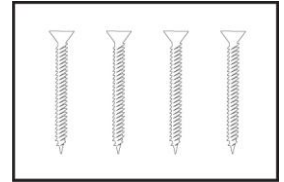


## IK03 FLL INSTALLATION (M-Bar or Board 천정 직부형 취부)

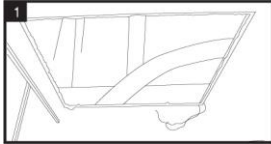


● 부품구성 :  
M4 26의 나사못 4개 (당사 지급품)

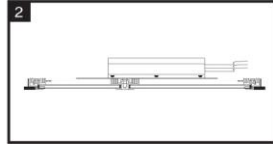
•참고사항 : 나사못을 사용하여 고정 할 경우, 제품에 구멍(Hole)을 가공해야 하므로, 주문 시 미리 언급해주시시오.



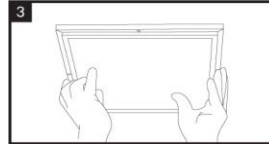
### 설치순서



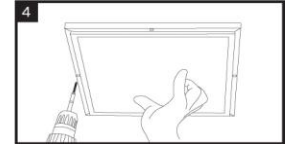
1 천정 타공 및 전선 노출 (제품 SIZE보다 작게)



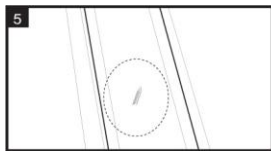
2 전기배선



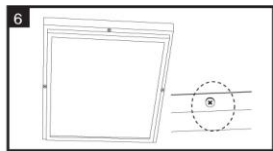
3 설치 위치 확인



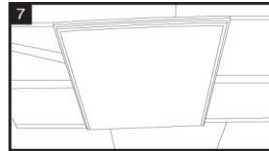
4 나사못을 활용 천정 취부



5 천정부 취부 뒷쪽

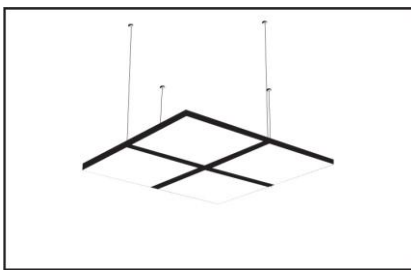


6 천정취부 구조물에 등기구 고정

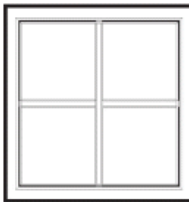


7 점등테스트

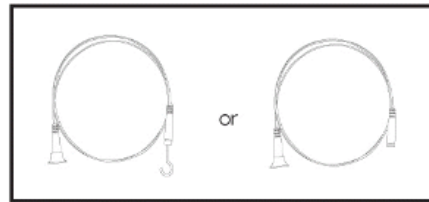
## IK05 FLL INSTALLATION (팬던트 취부)



● 부품구성 : 와이어(고리형) 4ea or 와이어 T자형 4ea, 나사못



FLL



와이어 고리형 (4ea)

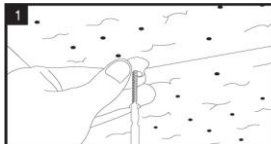
or

와이어 T자형 (4ea)

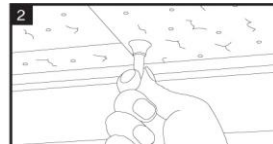


나사못 (M4x26)

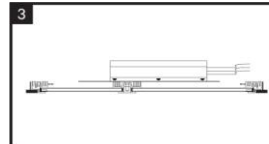
### 설치순서



1 Screw로 상부고정 와이어 취부 (M4 x 26)0



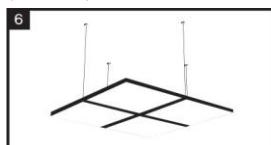
2 상부고정 와이어 취부 (4Point)



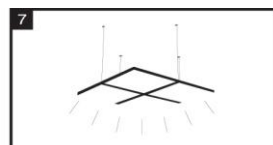
3 전기배선



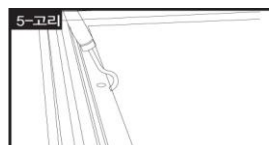
4 와이어 길이 조절



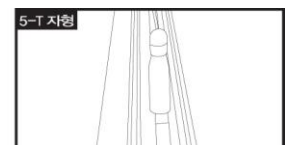
5 고리형 와이어와 조명 연결 (4point 연결)



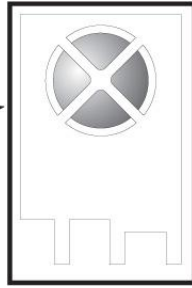
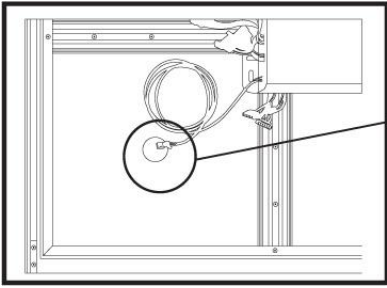
6 천정취부 구조물에 등기구 고정



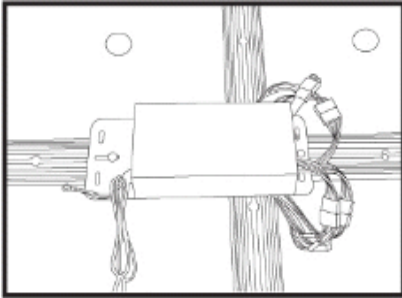
7 T자형 와이어와 조명 연결 (4point 연결)



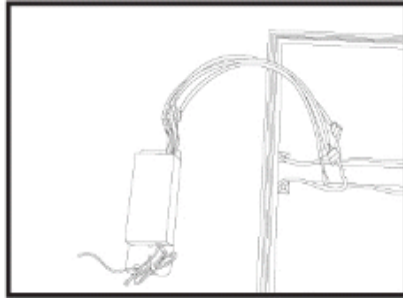
8 점등테스트



- ◆ IR센서 설치 시 반드시 수광부가 FLL 발광부를 향하도록 설치하시기바랍니다.
- ◆ IR센서의 수광부를 제품 외부로 노출시키면 IR센서 인식범위를 더욱 증가 시킬 수 있습니다
- ※ IR센서 설치시 IR센서가 금속에 닿지않도록 설치해 주십시오.
- ◆ PSU 고정시 유동되지 않도록 체결해 주십시오. (체결 후 고정 상태를 확인해 주십시오.)



(제품 체결시)



(제품과 분리(연장선 활용) 설치시)

- ◆ PSU 컨넥터와 FLL 컨넥터 체결 시 체결방향 및 체결상태를 확인하세요. (PSU는 설치 환경에 따라 제품 위 또는 제품과 분리(연장선 활용)하여 설치하실 수 있습니다.)
- ◆ Dip S/W의 셋팅 방법을 숙지해 주십시오.

- ◆ 네트워크 설치 시 In/Out 체결 방법을 숙지해 주십시오.
- ◆ LED출력 배선 및 IR 센서 연결에는 반드시 전원 Off상태에서 체결하십시오.
- ◆ 전기 배선 연결 시에는 메인 전원을 off 시킨 후 연결해 주십시오.
- ◆ 전원은 AC 95~240V인지 확인하십시오.
- ◆ 제품 외 먼지 또는 이물질을 제거 시에는 부드러운 헝겊으로 닦아 주십시오. (벤젠, 신나 등 유기 용제를 사용하지 마세요. 제품에 손상을 줍니다.)
- ◆ 제품상에 무리한 힘이 가해지지 않도록 주의하십시오.

## 제품 보관 방법

### ◆ 제품 보관 방법

- 1) 상온에서 보관하며, 높은 습기를 피해 주십시오.  
(온도 : - 20 ~ 50℃ , 습도 85%이하)
- 2) 포장을 오픈 후 저장할 경우, 높은 온도와 높은 습기의 노출을 피해 주십시오.
- 3) 어린아이가 만지지 않도록 주의하여 주십시오.

### ◆ 제품 품질 보증 기간

- 1) 무상 보증 기간  
당사 총판/지사/대리점에서 구매일 기준으로 2년을 무상보증기간으로 한다.
- 2) 제품 교환
  - 제품을 구매한 후 7일 이내 교환이 가능함.
  - 제품을 구매한 후 2년 이내에 조도가 20% 이상 떨어지거나, 색온도가 20%이상 변화가 일어날 때 제품 교환을 실시 한다.
  - \* 단, 제품 개봉 후 고객 부주의로 인한 제품 파손 및 이상이 있는 경우, 제품의 임의 분해 및 임의 가공한 경우, 제품에 지워지지 않는 오염물질이 묻어 있는 경우는 유상수리 함.
- 3) 제품 무상 수리
  - 제품을 구매한 후 7일 이후부터 2년 이내의 제품
  - \* 단, 제품 개봉 후 고객 부주의로 인한 제품 파손 및 이상이 있는 경우, 제품의 임의 분해 및 임의 가공한 경우, 제품에 지워지지 않는 오염물질이 묻어 있는 경우는 유상수리 함.
- 4) 제품 유상 수리
  - 제품 구매한 이후 2년 경과된 제품.
  - 고객의 부주의로 인한 제품 파손 및 이상이 있는 경우
  - 제품 임의 분해 및 임의 가공한 경우

## ◆무상 서비스

소비자 피해유형		보 상 내 역	
		보증기간 이내	보증기간 이후
정상적인 사용상태에서 발생한 성능/기능상의 고장	구입한 후 1개월 이내에 중요한 수리를 요한 경우	제품교환 또는 무상수리	-
	제품구입시 운송과정 및 제품 설치 중 발생한 피해	제품교환	-
	하자 발생시	무상수리	유상수리
	동일하자로 4회 연속 고장 발생시	제품교환	정률감가상각금액으로 환불
	수리불가능 시 (수리용 부품 미 보유 포함)	제품교환	정률감가상각금액으로 환불
소비자의 고의/과실에 의한 성능/기능상의 고장	수리가능	유상수리	유상수리
	수리불가능	유상수리에 해당하는 금액 징수 후 제품교환	별도 정하는 당사 기준에 준함

## ◆유상 서비스

◆ 보증기간이 경과하였거나, 보증기간 이내라도 다음과 같은 경우에는 수리에 소요되는 소정의 수리비용 (부품비, 수리비, 출장비 등)을 받고 수리하여 드립니다.

- 천재지변(화재, 염해, 가스, 지진, 수해, 낙뢰 등)에 의한 고장이 발생하였을 경우
- 대리점이나 당사 (KDT)로부터 지정된 수리기사가 아닌 사람이 수리하여 고장 났을 경우
- 사용전원의 이상에 의한 고장 (전기용량을 틀리게 사용하여 발생하는 경우)
- 사용상의 부주의 (충격, 파손, 무리한 작동 등)에 의한 고장이나 손상
- 사용자 임의의 내부개조로 발생하는 고장 (당사에서 판매되지 않은 소모품, 옵션품 사용으로 발생 시)
- 소모성 부품의 수명이 다하여 교환하는 경우

## ◆ A/S받기 전에...

아래의 나열된 문제들이 발생할 경우에는 주어진 해결 방법을 사용하세요. 이러한 방법들은 시간을 절약해주며, 불필요하게 서비스를 의뢰하는 번거로움을 줄여줄 수 있습니다.

문 제 점	점검 내용 / 설명
불이 켜지지 않는다.	· 전원 연결을 제대로 하였는지 혹은 전원스위치가 Off인지 확인하세요.
리모콘이 작동하지 않는다.	· 리모콘 건전지가 없거나 극성(+, -)이 맞는지 확인하세요. · 조명 전원 S/W가 On으로 되어 있는지 확인하세요. · 수신 IR센서의 위치 및 연결 상태를 확인하세요.
네트워크가 작동하지 않는다.	· Dip S/W가 제대로 되어 있는지 확인하세요. · Master에 IR센서의 연결 상태를 확인하세요. · 네트워크 케이블의 연결 상태를 확인하세요.
깜박거리는 현상이 나타난다.	· 전원을 끄고, 5분 후에 다시 켜주십시오. (동일한 현상이 지속적으로 발생할 경우에는 구매처 또는 본사로 연락하세요.)

◆ 상기의 지침을 사용해도 문제가 해결되지 않으면, A/S 요청을 하여 주시기 바랍니다. 직접 수리 또는 제품을 분해하게 되면 전기 감전 등의 위험이 있습니다. 연락하실 때 다음 사항을 알려주십시오.

- 제품명, 구입일, 구입처
- 주소, 성명, 전화번호, 자택위치
- 고장증상(상세히)

### ◆ 연락처

- TEL 043) 217-0250, FAX 043) 217-0255
- E-Mail : info@kdtdisplay.com



## [오창공장]

충청북도 청원군 옥산면 남촌리 1112-8번지 오창과학단지내  
전화:043-217-0250, 팩스:043-217-0255

### <중부고속도로>

호법IC(영동/중부 고속도로) → 중부고속도로(대전방면) → 오창IC → 옥산방면 → 오창과학단지내 → 환경사업소 뒤 → 케이디티 (KDT)

### <경부고속도로>

신갈IC(원주방면) → 호법IC(영동/중부 고속도로) → 중부고속도로(대전방면) → 오창IC → 옥산방면 → 오창과학단지내 → 환경사업소 뒤 → 케이디티(KDT)